

# 30W Standard LED Driver

Constant Voltage IP65 24VDC



## LD-IP30/24



### Technical Specification

Order Code		LD-IP30/24
Output	Rated Power	30W
	Rated Current	1.25A
	Output Voltage	24V DC
	Voltage Tolerance	±0.5V
	Input	Voltage Range
	Frequency Range	47~63Hz
	Efficiency (Typ)	84%
	Power Factor (Typ)	≥ 0.65
	AC Current (Typ)	0.22A
	Inrush Current (Max)	30A Max (50% Ipeak Twidth=485µs) 230VAC
Protection	Overload	≤ 120%
	Short circuit	Recovers automatically after condition is removed
Environment	Working Temp	-30~+50°C
	Working Humidity	20~90%RH, non-condensing
	Ingress Protection	IP67 waterproof
	Storage Temp / Humidity	-40~+80°C, 10~95%RH
Safety & EMC	Safety Standards	EN61347-1; EN61347-2-13,SELV, IP67 approved
	Withstand Voltage	I/P-O/P:3KVAC; I/P-FG:3KVAC; O/P-FG:0.5KVAC
	Isolation Resistance	I/P-O/ P:150MΩ / 500VDC / 25°C / 70%RH
	EMC Emission	EN 55015:2013
	EMC Immunity	EN 61547:2009

To calculate the maximum number of drivers per mcb the following calculation can be applied:  
Number for drivers= Ipeak (breaker)/ I surge (driver).

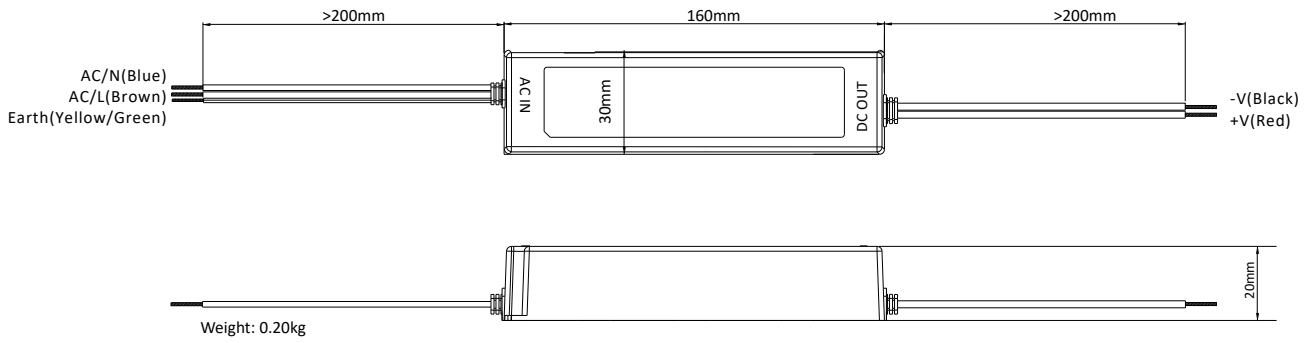
Consult breaker manufacturer for guidance on circuit breakers for direct current applications.

# 30W Standard LED Driver

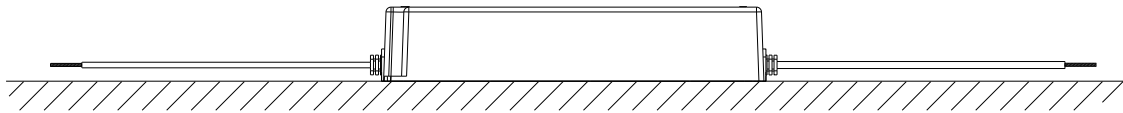
Constant Voltage IP65 24VDC



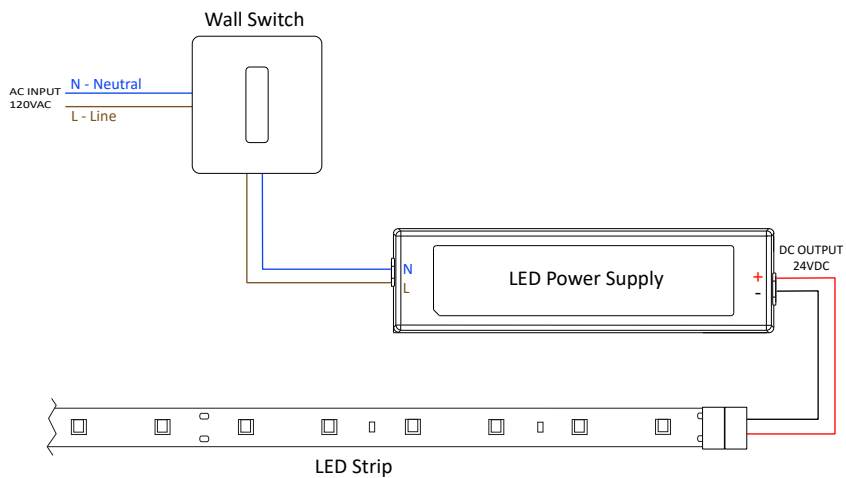
## Dimensions



## Recommended Mounting Position



## Mains Wiring Diagram



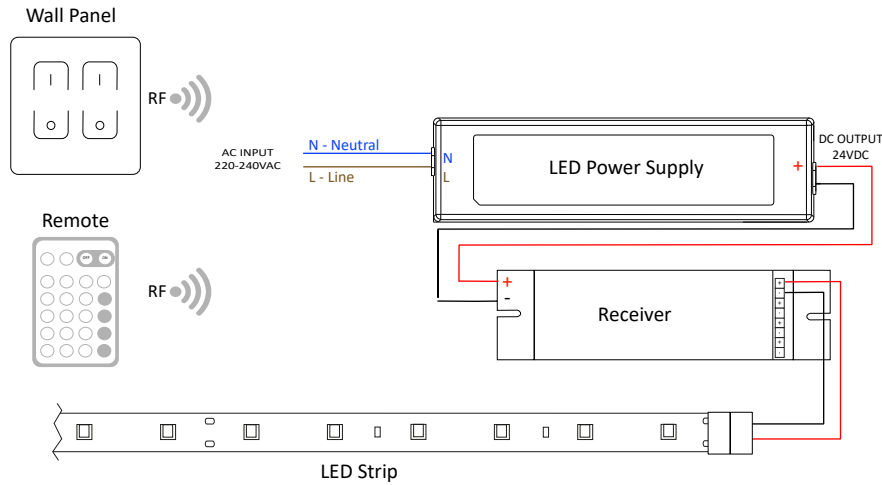
\* Consult switch manufacturer wiring diagram for connections on the switch

# 30W Standard LED Driver

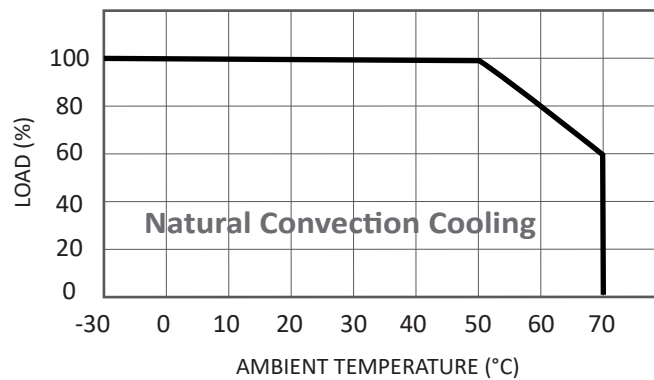
Constant Voltage IP65 24VDC



## Teucer Controllers Wiring Diagram



## Derating Curve



## Warranty

Should this product fail during the 5 year warranty period it will be replaced free of charge, subject to the correct installation of the original product in accordance with applicable and appropriate electrical codes and instructions provided by Teucer, as well as subsequent return of the faulty unit. LED strips of 9.6W/m and above MUST be mounted on an appropriate aluminium profile to guarantee product performance and Teucer warranty.

Teucer does not accept responsibility for any installation costs associated with the replacement of this product and Teucer reserves the right to alter specifications without prior notice. For further information, please see our Terms and Conditions. [www.teucerled.co.uk/terms-and-conditions/](http://www.teucerled.co.uk/terms-and-conditions/).

Teucer (UK) Ltd  
Head office

Bedford House, Fulham Green  
69-79 Fulham High Street  
London, SW6 3JW, UK  
Tel: +44 (0)20 7350 4429  
Fax: +44(0)20 7228 4647  
[www.teucerled.co.uk](http://www.teucerled.co.uk)  
[sales@teucer.eu](mailto:sales@teucer.eu)

