

# DMX AMPLIFIER



Brighter for longer

## DIM-DMX/AMP Signal amplifier

### Product Description

This DMX amplifier is used to expand DMX signals on large scale installations. We recommend using an amplifier every 55 meters to expand the DMX signal.

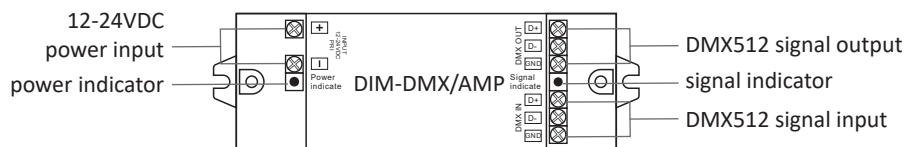
### Product Image



### Technical Specification

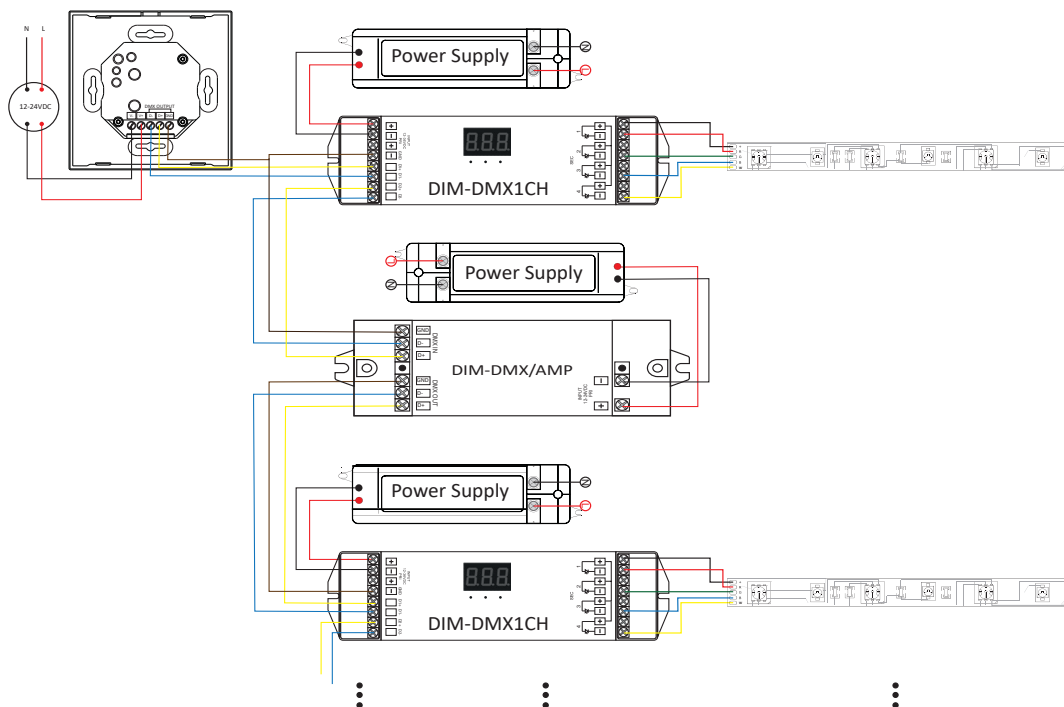
Decoder	
Order Code	DIM-DMX/AMP
Type	signal amplifier
Input Voltage	12-24VDC
Current	0.5A max
Note	Constant voltage
Dimension	47x145x17mm (WxLxH)

### Signal amplifier layout



## DIM-DMX/AMP Signal amplifier

### Wiring diagram



Please use Teucer LD-IP20/24 LED driver to power the DIM-DMX/AMP.  
It is recommended to use DIM-DMX/AMP after every 55 meters, when using a DMX decoder.

### Safety

- Products must be installed and serviced by qualified electrician.
- Please ensure the receiver is mounted in a water proof enclosure if installed in an outdoor environment, avoiding metallic enclosures.
- Always ensure products are mounted in areas with adequate ventilation to avoid overheating.
- Please ensure outputs of any power suppliers used in conjunction with this product comply with its working voltage.
- Never install product whilst connected to power and double check connections before switching on to avoid short circuits.

### Warranty

Should this product fail during the 3 year warranty period it will be replaced free of charge, subject to the correct installation of the original product in accordance with applicable and appropriate electrical codes and instructions provided by Teucer, as well as subsequent return of the faulty unit. Teucer does not accept responsibility for any installation costs associated with the replacement of this product and Teucer reserves the right to alter specifications without prior notice. Teucer can offer 5 year warranty upon request. For further information, please see our Terms and Conditions. [www.teucerled.co.uk/terms-and-conditions/](http://www.teucerled.co.uk/terms-and-conditions/)

**Teucer (UK) Ltd**  
Head office

Bedford House, Fulham Green, Fulham High Street,  
London, SW6 3JW, UK  
Tel: +44 (0)20 7350 4429  
Fax: +44(0)20 7228 4647  
[www.teucerled.co.uk](http://www.teucerled.co.uk)  
[sales@teucer.eu](mailto:sales@teucer.eu)

Logistics Centre

Trident Court,  
1 Oakcroft Road,  
Chessington,  
Surrey, KT9 1BD, London, UK  
Tel: +44(0)20 7350 4429, extension: 401  
[warehouse@teucer.eu](mailto:warehouse@teucer.eu)