

## LR-4TWN and R3C

### 4 zones RF controller and receiver for tunable white LED strip

#### Product Description

The LR-4TWN remote enables control of up to 4 zones of tunable white LED strips. Featuring a touch colour temperature wheel, the remote enables the user to adjust the colour temperature from warm white to cool white and daylight seamlessly.

#### Features

- Control single zone, two, three or four zones.
- 2.4GHz wireless technology, enabling remote distance of up to 30m.
- Operates with an LED indicator light for ease of use.
- Each remote can control one or more receivers.
- Control each zone separately or simultaneously.
- PWM dimming enables flicker-less dimming.
- Dimming range: 0-100%
- Can be used as a 4 channel or 4 output dimming remote.

#### Technical Specification

Controller	
Order Code	LR-4TWN
Type	RF Remote
Input Voltage	3VDC
Operation Frequency	2.4GHz
Dimension	58.5x107x9mm (WxLxH)
Power	battery CR2032

Receiver	
Order Code	R3C
Type	RF receiver
Input Voltage	12-36VDC
Current	3x4A
Output	144-288W
Note	Constant voltage
Dimension	33x97x18mm (WxLxH)

#### Product Image



#### Recommendation

RF technology allows for greater flexibility when it comes to controlling simple or complex lighting installations without the need of additional cabling.

There are some limitations where installations have the receivers enclosed in electrical boxes or hidden away in a ceiling, reducing the RF signal strength and therefore the communication range.

In order to overcome these RF Signal restrictions we suggest the following when synchronising our RF controllers and receivers:

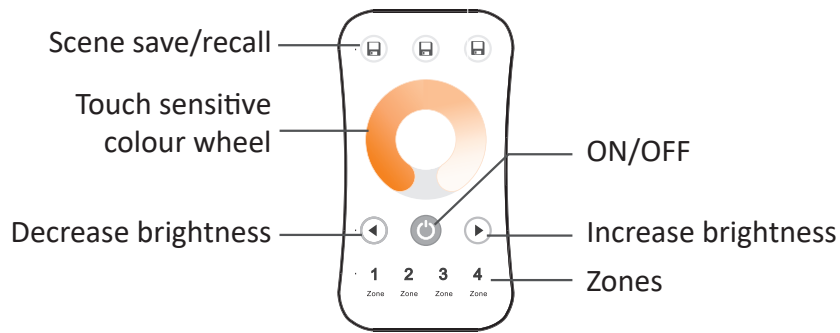
- Keep the distance within 10 meters from the controller to the receiver. The remote can operate up to 30 meters if signal is uninterrupted by obstacles.
- When expanding your lighting, always try and use a signal repeater (PR-RGB), where possible.
- If your installation requires several RF receivers, ensure the "master" receiver is positioned in the middle.

# CONTROLLER AND RECEIVER

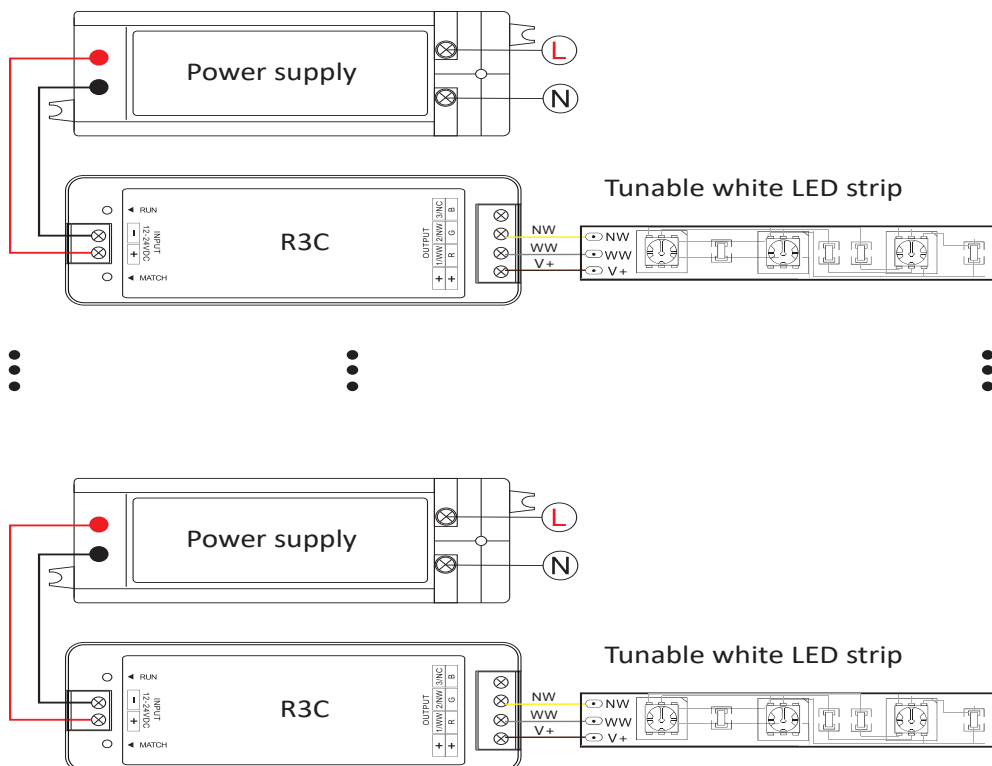
## LR-4TWN and R3C

### 4 zones RF controller and receiver for tunable white LED strip

#### Controller layout



#### Receiver wiring diagram

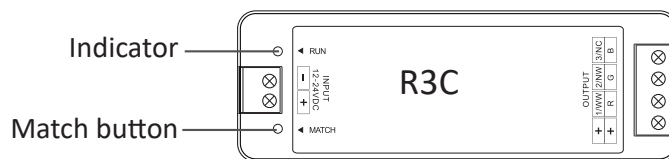


# CONTROLLER AND RECEIVER

## LR-4TWN and R3C 4 zones RF controller and receiver for tunable white LED strip

### Synchronising the remote to receiver

1) Ensure the receiver has power. Press the match button on the receiver. Indicator will begin flashing.



2) Choose the required zone on the remote to allocate the receiver within 5 seconds after pressing the match button. The indicator will stop flashing, and the controller will be synchronised.



Press the zone you wish to allocate

3) Repeat the process to allocate zones for all receivers.

4) To restore to factory default settings and delete the allocated controller, press and hold the match button longer than 5 seconds.

### Troubleshoot

Problem	Cause	Corrective
No light	<ul style="list-style-type: none"> <li>No power.</li> <li>Wrong connection or unsecure connection.</li> </ul>	<ul style="list-style-type: none"> <li>Check the power.</li> <li>Check the connection.</li> </ul>
Wrong Colour	<ul style="list-style-type: none"> <li>Wrong connection of tunable white wires.</li> </ul>	<ul style="list-style-type: none"> <li>Re trace and reconnect tunable white wires.</li> </ul>
Uneven intensity between front and rear of the strip, with voltage drop	<ul style="list-style-type: none"> <li>Output cable is too long.</li> <li>Cable diameter is too small.</li> <li>Overload beyond driver capability.</li> <li>Overload beyond receiver capability.</li> </ul>	<ul style="list-style-type: none"> <li>Reduce cable or loop supply.</li> <li>Change to a thicker cable.</li> <li>Replace with a suitable higher power driver.</li> <li>Add a power repeater.</li> </ul>
No response from the remote	<ul style="list-style-type: none"> <li>The battery has no power.</li> <li>Beyond controllable distance.</li> <li>The controller isn't synchronised with the remote.</li> </ul>	<ul style="list-style-type: none"> <li>Replace battery.</li> <li>Reduce remote to receiver distance.</li> <li>Re-sync the remote.</li> </ul>

# CONTROLLER AND RECEIVER

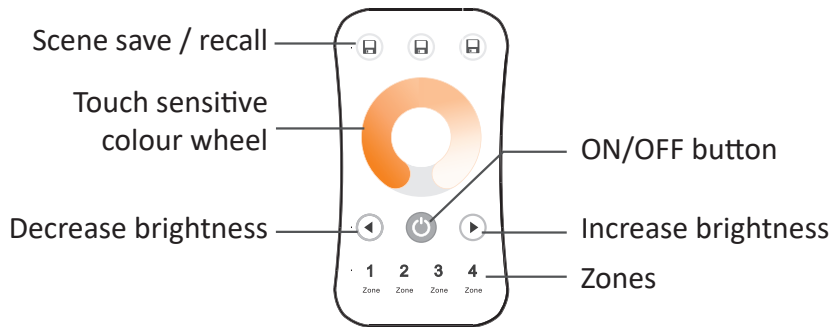


Brighter for longer

## LR-4TWN and R3C

### 4 zones RF controller and receiver for tunable white LED strip

#### Controlling your LED strip



- Choose the zone(s) you wish to control.
- To change colour temperature, use the colour wheel
- To adjust the brightness-press the appropriate buttons to increase / decrease brightness.

- To save your setup, press and hold scene buttons.
- To recall the saved scene, press the scene button.
- Upto 3 scenes can be saved

#### Safety

- Products must be installed and serviced by qualified electrician.
- Please ensure the receiver is mounted in a water proof enclosure if installed in an outdoor environment, avoiding metallic enclosures.
- Always ensure products are mounted in areas with adequate ventilation to avoid overheating.
- Please ensure outputs of any power suppliers used in conjunction with this product comply with its working voltage.
- Never install product whilst connected to power and double check connections before switching on to avoid short circuits.

#### Warranty

Should this product fail during the 3 year warranty period it will be replaced free of charge, subject to the correct installation of the original product in accordance with applicable and appropriate electrical codes and instructions provided by Teucer, as well as subsequent return of the faulty unit. Teucer does not accept responsibility for any installation costs associated with the replacement of this product and Teucer reserves the right to alter specifications without prior notice. Teucer can offer 5 year warranty upon request. For further information, please see our Terms and Conditions. [www.teucerled.co.uk/terms-and-conditions/](http://www.teucerled.co.uk/terms-and-conditions/)

**Teucer (UK) Ltd**  
Head office

Bedford House, Fulham Green, Fulham High Street,  
London, SW6 3JW, UK  
Tel: +44 (0)20 7350 4429  
Fax: +44(0)20 7228 4647  
[www.teucerled.co.uk](http://www.teucerled.co.uk)  
[sales@teucer.eu](mailto:sales@teucer.eu)

Logistics Centre

Trident Court,  
1 Oakcroft Road,  
Chessington,  
Surrey, KT9 1BD, London, UK  
Tel: +44(0)20 7350 4429, extension: 401  
[warehouse@teucer.eu](mailto:warehouse@teucer.eu)

