

LR-8RGBW and LRR-WTC 8 zone RF & WIFI controller and receiver for RGBW LED strip

Product Description

Teucer's RGBW controller enables control of up to 8 zones. As well as dimming this product can be used in conjunction with the LR-WTC receiver and paired with the LR-WIFI trans and the Easy lighting app therefore allowing any Android or Apple smartphone/ tablet to simultaneously control the lighting wirelessly whilst maintaining synchronous operations.

Features

- Control up to 8 zones independently or simultaneously
- Adjust colour and brightness
- Smartphone / tablet compatible via Easy Lighting app
- Wireless RF range of 8-15 meters (depending on signal obstacles within the installation area)
- Save light functions and preferences to each zone
- 5%-100% smooth dimming

Technical Specification

Controller	
Order Code	LR-8RGBW
Type	RF remote controller
Input Voltage	5VDC
Operation Frequency	434MHz / 868MHz / 915Mhz
Dimension	115.4x58.8x12mm (WxLxH)
Power	3.7V (Lithium Battery), USB charge

Receiver	
Order Code	LRR-WTC
Type	RF receiver
Input Voltage	12-36VDC
Current	4X5A
Output	4X(60-180)W
Note	Constant voltage
Dimension	46x178x22mm (WxLxH)



Recommendation

RF technology allows for greater flexibility when it comes to controlling simple or complex lighting installations without the need of additional cabling.

There are some limitations where installations have the receivers enclosed in electrical boxes or hidden away in a ceiling, reducing the RF signal strength and therefore the communication range.

In order to overcome these RF Signal restrictions we suggest the following when synchronising our RF controllers and receivers:

- Keep the distance within 10 meters from the controller to the receiver
- When expanding your lighting, always try and use a signal repeater (PR-RGB), where possible.
- If your installation requires several RF receivers, ensure the "master" receiver is positioned in the middle.

CONTROLLER AND RECEIVER



Brighter for longer

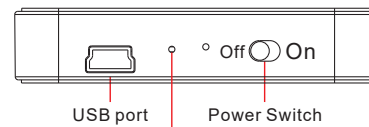
LR-8RGBW and LRR-WTC

8 zone RF & WIFI controller and receiver for RGBW LED strip

Controller layout



- Click to switch ON/OFF
- Red channel: Click to turn off/on, Press and hold down to increase/decrease light intensity
- Green channel: Click to turn off/on, Press and hold down to increase/decrease light intensity
- Blue channel: Click to turn off/on, Press and hold down to increase/decrease light intensity
- White channel: Click to turn off/on, Press and hold down to increase/decrease light intensity
- Play & pause mode, click to play or pause running mode
- Return to previous status
- Save color, press and hold down to save, click to recall the saved
- Speed down, press and hold down to speed down the running mode
- Speed up, press and hold down to speed up the running mode
- Brightness down, press and hold down to decrease light intensity
- Brightness up, press and hold down to increase light intensity
- 1 2 3 4 5 6 7 8 8 zones, click to select a zone, press and hold down to turn on/off corresponding zone

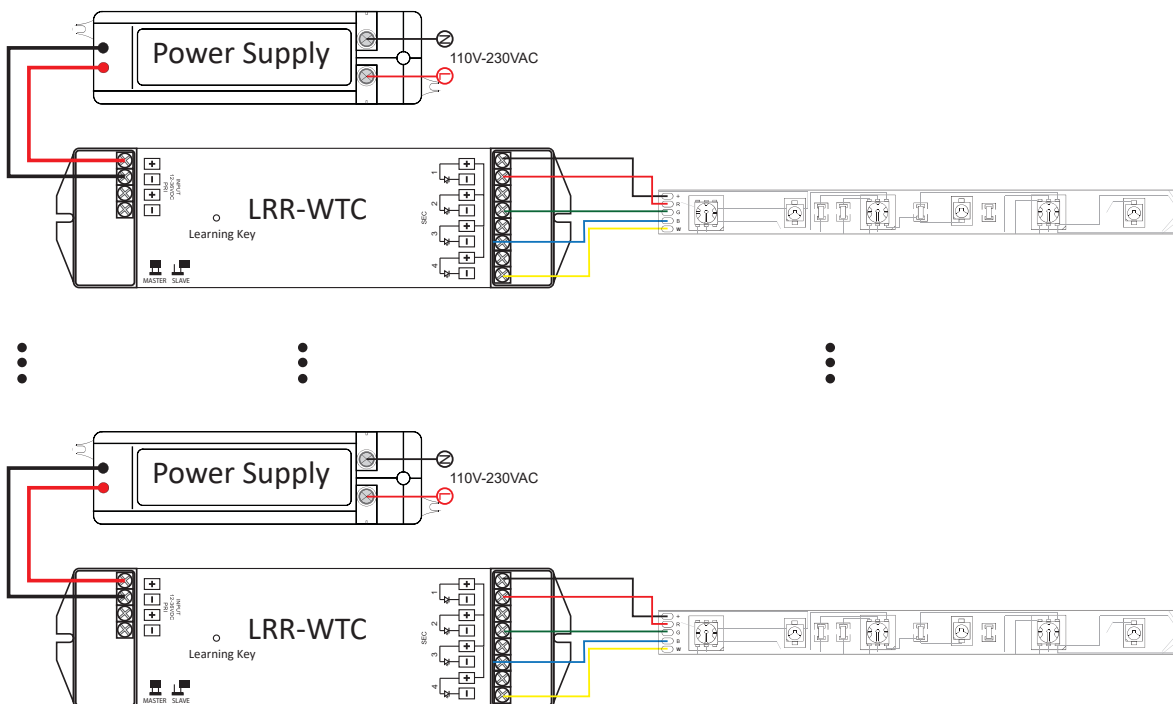


LED indicator

Indicator will be on while remote is charging. Indicator will be off while it's full charged.

Note: If remote control is not used for a long time, please charge it every two months.

Receiver wiring diagram



When wiring the receivers, it's important to make sure the total wattage of the LED strips does not exceed the maximum rated wattage per channel of the receiver. Each channel is rated at 5A, so the maximum wattage per channel is $24 \times 5A = 120W$. The power supply has to match the rated voltage and be superior to the total LED strip wattage by a recommended 10%.



LR-8RGBW and LRR-WTC

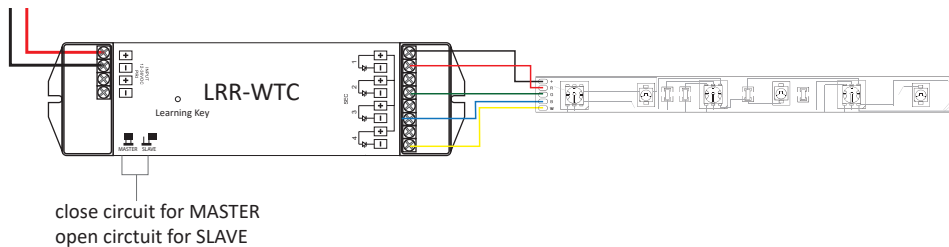
8 zone RF & WIFI controller and receiver for RGBW LED strip

Synchronising the controller to receiver

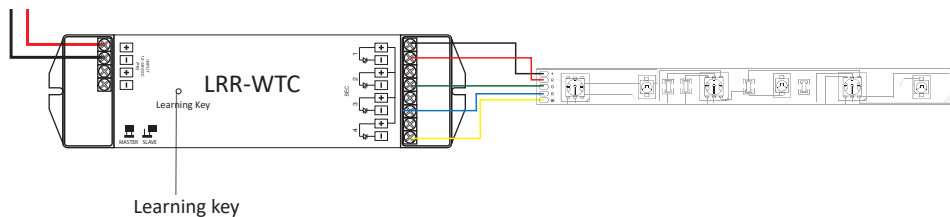
1) Turn the controller ON. Red LED indicator will be light up.

2) Set the receiver LRR-WTC as a MASTER OR SLAVE.

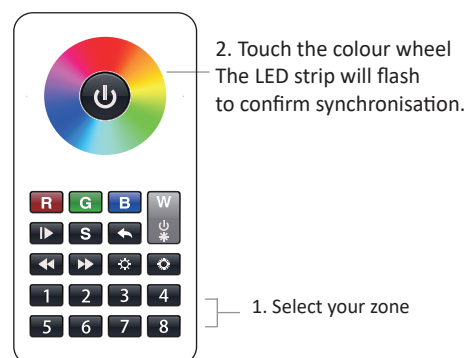
Allocating the receiver as a master or slave is important to ensure your LED strip and receiver are fully synchronised. There can be only 1 master receiver per zone.



3) Ensure the receiver has power. Press the learning key on the receiver.



4) Ensure the controller is turned ON (red light indicator ON) and press the zone you which to allocate to the receiver, than touch the colour wheel. The LED strips will blink to confirm synchronisation has been successful.



5) Just repeat the learning process to synchronise several receivers to the same controller.

6) To clear the receiver from a selected zone, simply press and hold the learning key for 5 or more seconds. The receiver will be reset to the default factory settings.

CONTROLLER AND RECEIVER



Brighter for longer

LR-8RGBW and LRR-WTC 8 zone RF & WIFI controller and receiver for RGBW LED strip

Controlling your LED strip

With LR-8RGBW one can adjust the brightness and colour temperature of the RGBW LED strip.



- Click to switch ON/OFF
- R** Red channel: Click to turn off/on, Press and hold down to increase/decrease light intensity
- G** Green channel: Click to turn off/on, Press and hold down to increase/decrease light intensity
- B** Blue channel: Click to turn off/on, Press and hold down to increase/decrease light intensity
- W** White channel: Click to turn off/on, Press and hold down to increase/decrease light intensity
- Play & pause mode, click to play or pause running mode
- Return to previous status
- S** Save color, press and hold down to save, click to recall the saved
- Speed down, press and hold down to speed down the running mode
- Speed up, press and hold down to speed up the running mode
- Brightness down, press and hold down to decrease light intensity
- Brightness up, press and hold down to increase light intensity
- 1 2 3 4** **5 6 7 8** 8 zones, click to select a zone, press and hold down to turn on/off corresponding zone

- Choose the zone(s) you wish to control. Select as many zones as you wish.
- Touch the colour wheel to change colours.
- Press and hold R/G/B/W to individually dim them up or down.
- Choose one of 10 pre-set play modes.
- Speed up or slow down the play modes.

Safety

- Products must be installed and serviced by qualified electrician.
- Please ensure the receiver is mounted in a water proof enclosure if installed in an outdoor environment, avoiding metallic enclosures.
- Always ensure products are mounted in areas with adequate ventilation to avoid overheating.
- Please ensure outputs of any power suppliers used in conjunction with this product comply with its working voltage.
- Never install product whilst connected to power and double check connections before switching on to avoid short circuits.

Warranty

Should this product fail during the 3 year warranty period it will be replaced free of charge, subject to the correct installation of the original product in accordance with applicable and appropriate electrical codes and instructions provided by Teucer, as well as subsequent return of the faulty unit. Teucer does not accept responsibility for any installation costs associated with the replacement of this product and Teucer reserves the right to alter specifications without prior notice. Teucer can offer 5 year warranty upon request. For further information, please see our Terms and Conditions. www.teucerled.co.uk/terms-and-conditions/

Teucer (UK) Ltd
Head office

Bedford House, Fulham Green, Fulham High Street,
London, SW6 3JW, UK
Tel: +44 (0)20 7350 4429
Fax: +44(0)20 7228 4647
www.teucerled.co.uk
sales@teucer.eu

Logistics Centre

Trident Court,
1 Oakcroft Road,
Chessington,
Surrey, KT9 1BD, London, UK
Tel: +44(0)20 7350 4429, extension: 401
warehouse@teucer.eu

