

SIGNAL REPEATER



Brighter for longer

PR-RGB(N) Signal repeater

Product Description

This signal repeater enables users to expand single colour, tunable white, RGB and RGBW LED strip runs, without the need for additional receivers. Compatible with all Teucer receivers.

Technical Specification

Decoder	
Order Code	PR-RGB(N)
Type	signal repeater
Input Voltage	12-36VDC
Current	4X5A
Output	4X(60-180)W
Note	Constant voltage
Dimension	45x175x28mm (WxLxH)

Product Image



Features

- Unlimited signal expansion
- PWM dimming
- Compatible with all Teucer receivers and decoders

Signal repeater layout



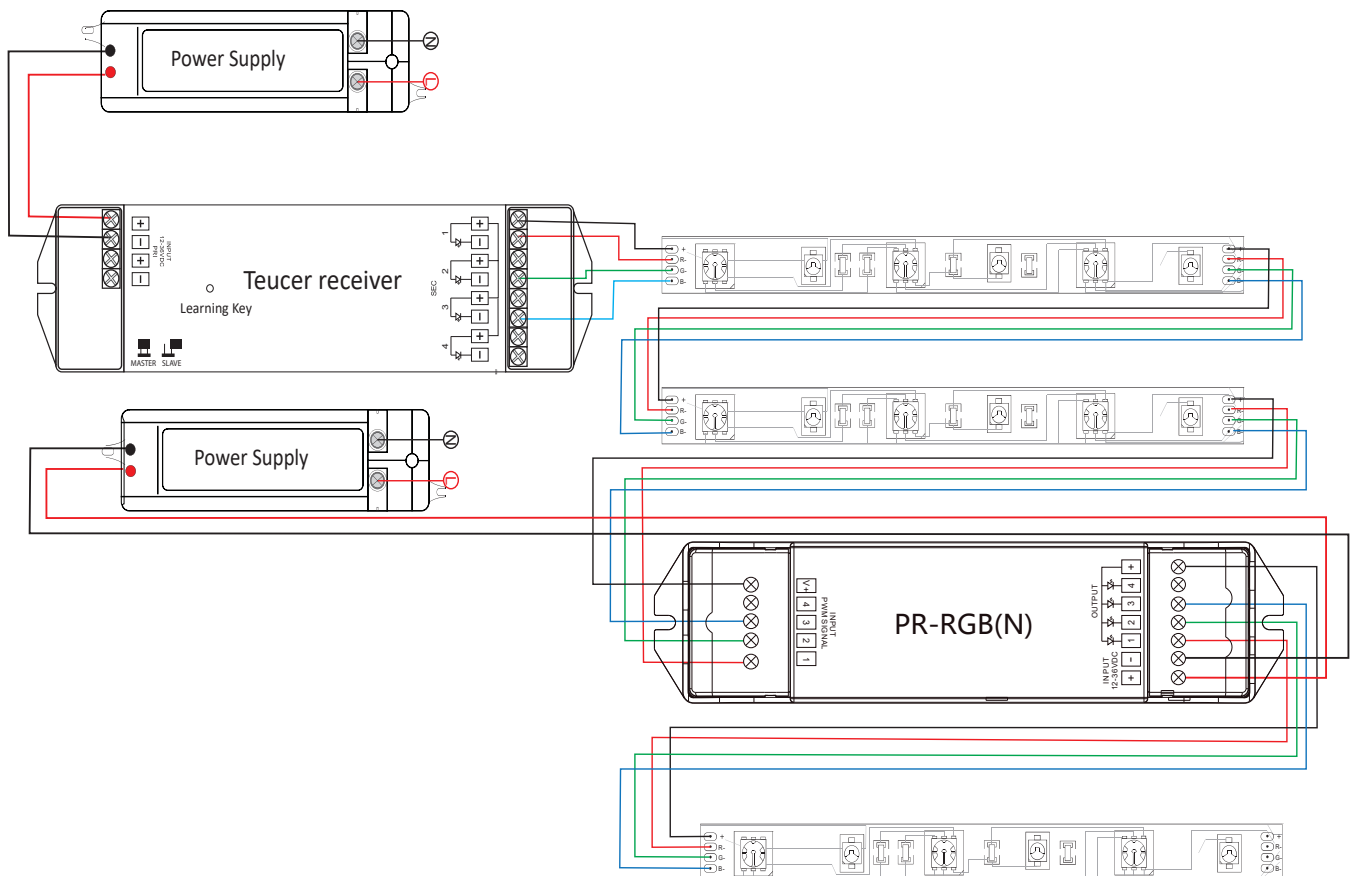
SIGNAL REPEATER



Brighter for longer

PR-RGB(N) Signal repeater

Wiring diagram - series



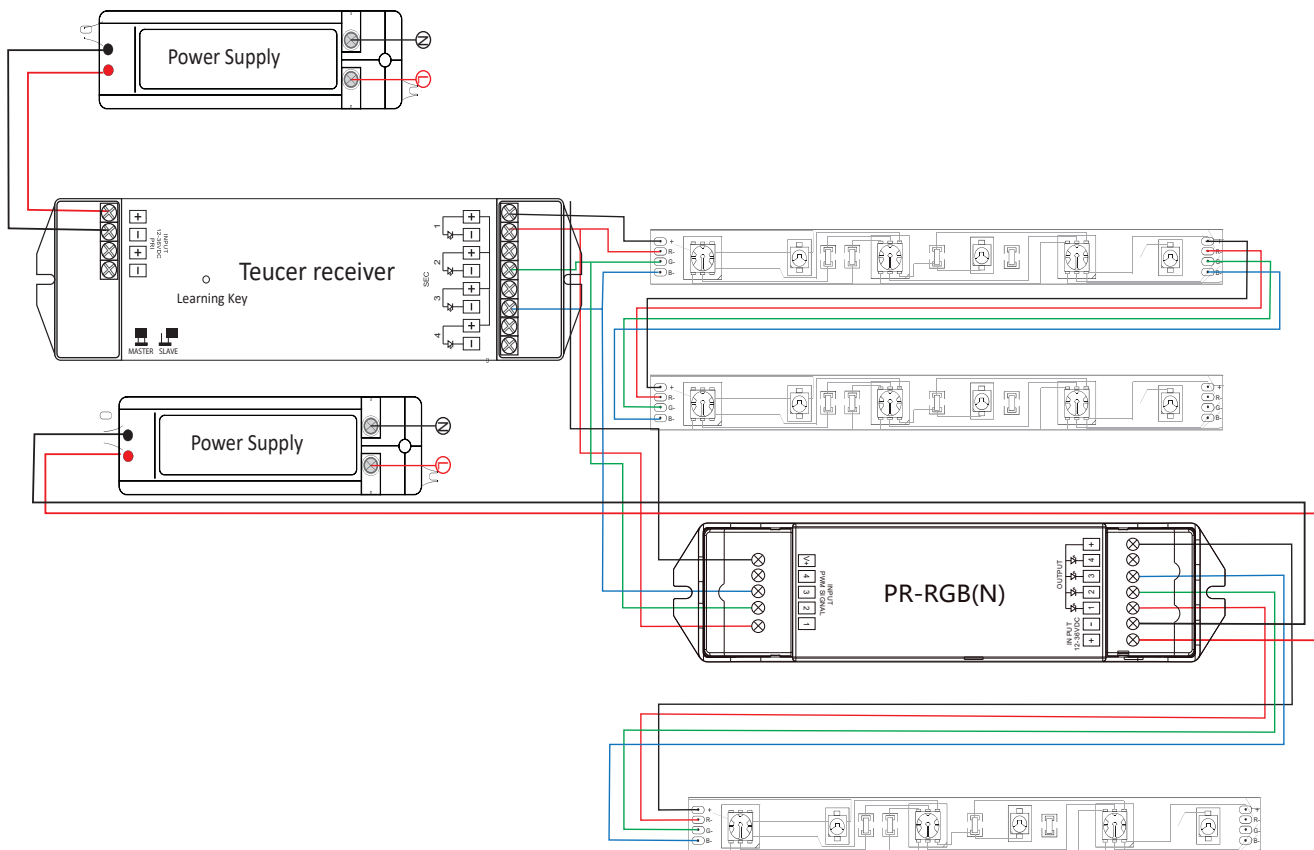
When wiring the decoders, it is important to make sure the total wattage of the LED strips does not exceed the maximum rated wattage per channel of the decoder. Each channel is rated at 5A, so the maximum wattage per channel is $24 \times 5A = 120W$.

The power supply has to match the rated voltage and be superior to the total LED strip wattage by a recommended 10%. The signal repeater is compatible with single colour LED strips, tunable white, RGB and RGBW, and can be wired similarly for both series and parallel connections.



PR-RGB(N) Signal repeater

Wiring diagram - parallel



Safety

- Products must be installed and serviced by qualified electrician.
- Please ensure the receiver is mounted in a water proof enclosure if installed in an outdoor environment, avoiding metallic enclosures.
- Always ensure products are mounted in areas with adequate ventilation to avoid overheating.
- Please ensure outputs of any power suppliers used in conjunction with this product comply with its working voltage.
- Never install product whilst connected to power and double check connections before switching on to avoid short circuits.

Warranty

Should this product fail during the 3 year warranty period it will be replaced free of charge, subject to the correct installation of the original product in accordance with applicable and appropriate electrical codes and instructions provided by Teucer, as well as subsequent return of the faulty unit. Teucer does not accept responsibility for any installation costs associated with the replacement of this product and Teucer reserves the right to alter specifications without prior notice. Teucer can offer 5 year warranty upon request. For further information, please see our Terms and Conditions. www.teucerled.co.uk/terms-and-conditions/

Teucer (UK) Ltd Head office

Bedford House, Fulham Green, Fulham High Street,
London, SW6 3JW, UK
Tel: +44 (0)20 7350 4429
Fax: +44(0)20 7228 4647
www.teucerled.co.uk
sales@teucer.eu

Logistics Centre

Trident Court,
1 Oakcroft Road,
Chessington,
Surrey, KT9 1BD, London, UK
Tel: +44(0)20 7350 4429, extension: 401
warehouse@teucer.eu