

WP-1RGB and LRR-1RGB 1 zone RF controller and receiver for RGB LED strip

Product Description

Teucer rotary wall panel dimmers enable the user to scroll through a multitude of colours and dim to a low 5% capacity with 256 levels of logarithmic dimming.

Each unit is powered by a replaceable 3V battery removing the need of a power feed, and providing users with a greater degree of flexibility during installation.

Features

- 1 zone rotary RF RGB controller and dimmer
- 5%-100% smooth dimming capacity
- Simple installation with an internal battery (3V battery)
- Sync function can adjust brightness levels from both wall panel (WP-1RGB) and table top remote (LR-1RGB) simultaneously
- Wireless RF (Radio Frequency) range of 8-15m (depending on signal obstacles within the installation area)

Technical Specification

Controller	
Order Code	WP-1RGB
Type	RF wall panel
Input Voltage	3VDC
Operation Frequency	868MHz
Dimension	86x86x29.1mm (WxLxH)
Power	battery CR-2032

Receiver	
Order Code	LRR-1RGB
Type	RF receiver
Input Voltage	12-36VDC
Current	3x5A
Output	3x(60-180)W
Note	Constant voltage
Dimension	46x178x22mm (WxLxH)



Recommendation

RF technology allows for greater flexibility when it comes to controlling simple or complex lighting installations without the need of additional cabling. There are some limitations where installations have the receivers enclosed in electrical boxes or hidden away in a ceiling, reducing the RF signal strength and therefore the communication range.

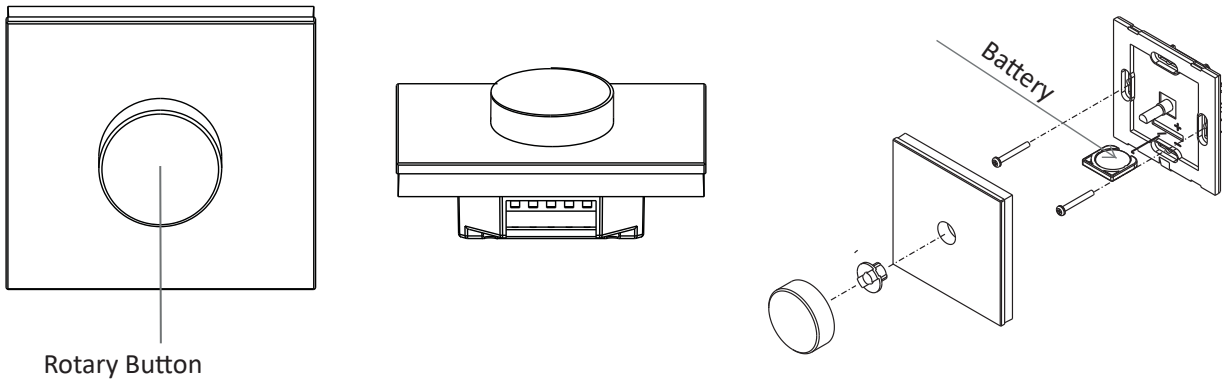
In order to overcome these RF Signal restrictions we suggest the following when synchronising our RF controllers and receivers:

- Keep the distance within 10 meters from the controller to the receiver
- When expanding your lighting, always try and use a signal repeater (PR-RGB), where possible.
- If your installation requires several RF receivers, ensure the “master” receiver is positioned in the middle.

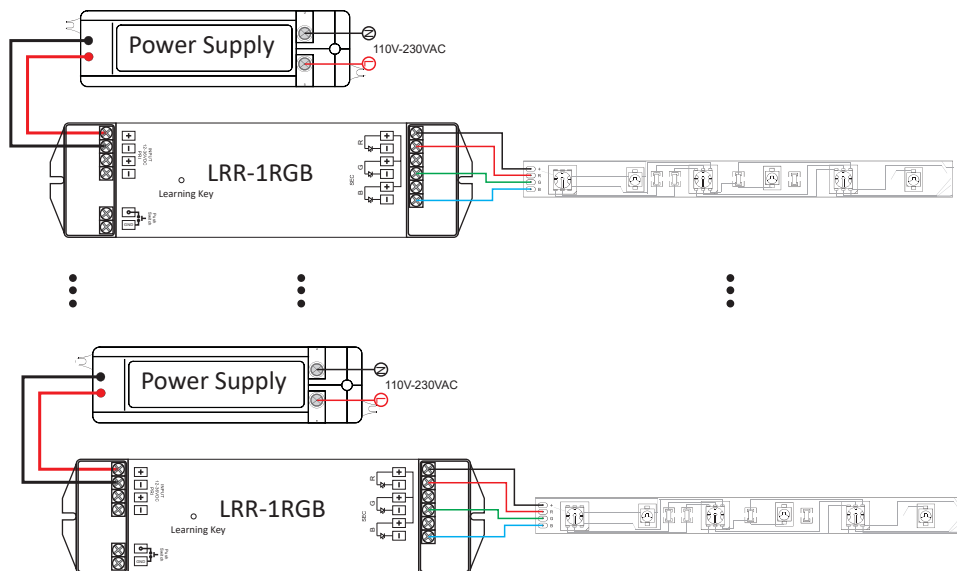
CONTROLLER AND RECEIVER

WP-1RGB and LRR-1RGB 1 zone RF controller and receiver for RGB LED strip

Controller layout



Receiver wiring diagram



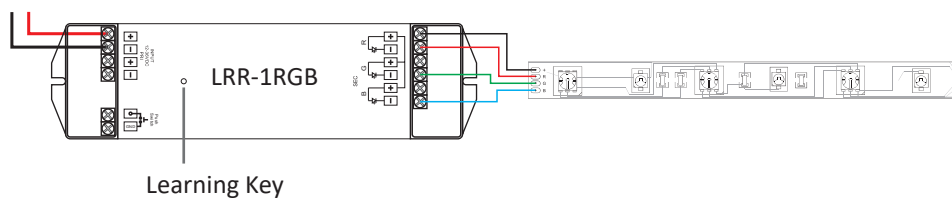
When wiring the receivers, it is important to make sure the total wattage of the LED strips does not exceed the maximum rated wattage per channel of the receiver. Each channel is rated at 5A, so the maximum wattage per channel is $24 \times 5A = 120W$. The power supply has to match the rated voltage and be superior to the total LED strip wattage by a recommended 10%.

CONTROLLER AND RECEIVER

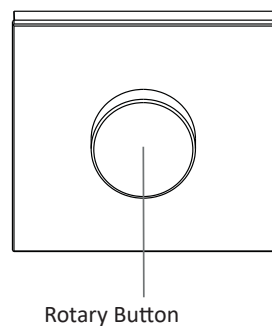
WP-1RGB and LRR-1RGB 1 zone RF controller and receiver for RGB LED strip

Synchronising the controller to receiver

- 1) Ensure the receiver has power. Press the learning button on the receiver.



- 2) Press the rotary button on the controller to synchronise with the receiver.



- 3) Simply repeat the same process to synchronise several receivers to the same controller.

- 4) To clear the receiver from a selected zone, simply press and hold the learning key for 5 or more seconds. The receiver will be reset to the default factory settings.

CONTROLLER AND RECEIVER

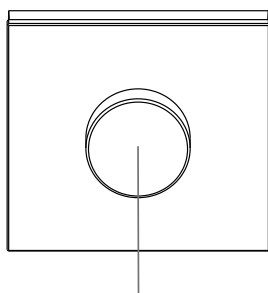


Brighter for longer

WP-1RGB and LRR-1RGB 1 zone RF controller and receiver for RGB LED strip

Controlling your LED strip

With WP-1RGB you can change colour or adjust brightness of RGB LED strip.



Rotary Button

Rotary button

- Press to turn ON/OFF
- Double press to change from colour changing to dimming function
- Turn left to right to cycle through the colours
- Turn left to right to dim up and down

Safety

- Products must be installed and serviced by qualified electrician.
- Please ensure the receiver is mounted in a water proof enclosure if installed in an outdoor environment, avoiding metallic enclosures.
- Always ensure products are mounted in areas with adequate ventilation to avoid overheating.
- Please ensure outputs of any power suppliers used in conjunction with this product comply with its working voltage.
- Never install product whilst connected to power and double check connections before switching on to avoid short circuits.

Warranty

Should this product fail during the 3 year warranty period it will be replaced free of charge, subject to the correct installation of the original product in accordance with applicable and appropriate electrical codes and instructions provided by Teucer, as well as subsequent return of the faulty unit. Teucer does not accept responsibility for any installation costs associated with the replacement of this product and Teucer reserves the right to alter specifications without prior notice. Teucer can offer 5 year warranty upon request. For further information, please see our Terms and Conditions. www.teucerled.co.uk/terms-and-conditions/

Teucer (UK) Ltd Head office

Bedford House, Fulham Green, Fulham High Street,
London, SW6 3JW, UK
Tel: +44 (0)20 7350 4429
Fax: +44(0)20 7228 4647
www.teucerled.co.uk
sales@teucer.eu

Logistics Centre

Trident Court,
1 Oakcroft Road,
Chessington,
Surrey, KT9 1BD, London, UK
Tel: +44(0)20 7350 4429, extension: 401
warehouse@teucer.eu

