

## WP-2W and LRR-2W

### 1 zone RF controller and receiver for single colour LED strip

#### Product Description

Teucer rotary wall panel dimmers enable the user to scroll through a multitude of colours and dim to a low 5% capacity with 256 levels of logarithmic dimming.

Each unit is powered by a replaceable 3V battery taking away the need of a power feed, and providing users with a greater degree of flexibility during installation.

#### Features

- 1 zone rotary RF controller and dimmer
- 5%-100% smooth dimming capacity
- Simple installation with an internal battery (3V battery)
- Sync function can adjust brightness levels from both wall panel (WP-2W) and table top remote (LR-2W) simultaneously
- Wireless RF (Radio Frequency) range of 10-20m (depending on signal obstacles within the installation area)

#### Technical Specification

| Controller          |                    |
|---------------------|--------------------|
| Order Code          | WP-2W              |
| Type                | RF wall panel      |
| Input Voltage       | 3VDC               |
| Operation Frequency | 868MHz             |
| Dimension           | 86x86x29mm (WxLxH) |
| Power               | battery CR-2032    |

| Receiver      |                     |
|---------------|---------------------|
| Order Code    | LRR-2W              |
| Type          | RF receiver         |
| Input Voltage | 12-24VDC            |
| Current       | 4X5A                |
| Output        | 4X(160-180)W        |
| Note          | Constant voltage    |
| Dimension     | 46x178x22mm (WxLxH) |



#### Recommendation

RF technology allows for greater flexibility when it comes to controlling simple or complex lighting installations without the need of additional cabling. There are some limitations where installations have the receivers enclosed in electrical boxes or hidden away in a ceiling, reducing the RF signal strength and therefore the communication range.

In order to overcome these RF Signal restrictions we suggest the following when synchronising our RF controllers and receivers:

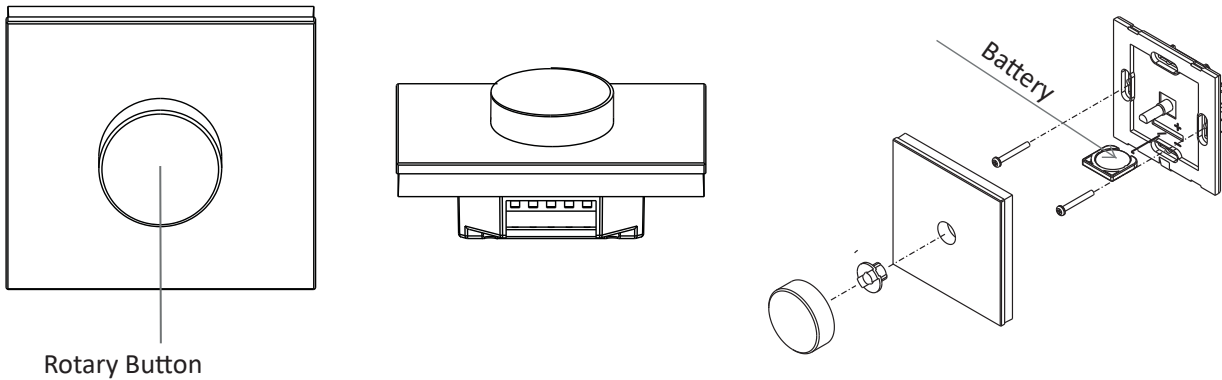
- Keep the distance within 10 meters from the controller to the receiver
- When expanding your lighting, always try and use a signal repeater (PR-RGB), where possible.
- If your installation requires several RF receivers, ensure the “master” receiver is positioned in the middle.

# CONTROLLER AND RECEIVER

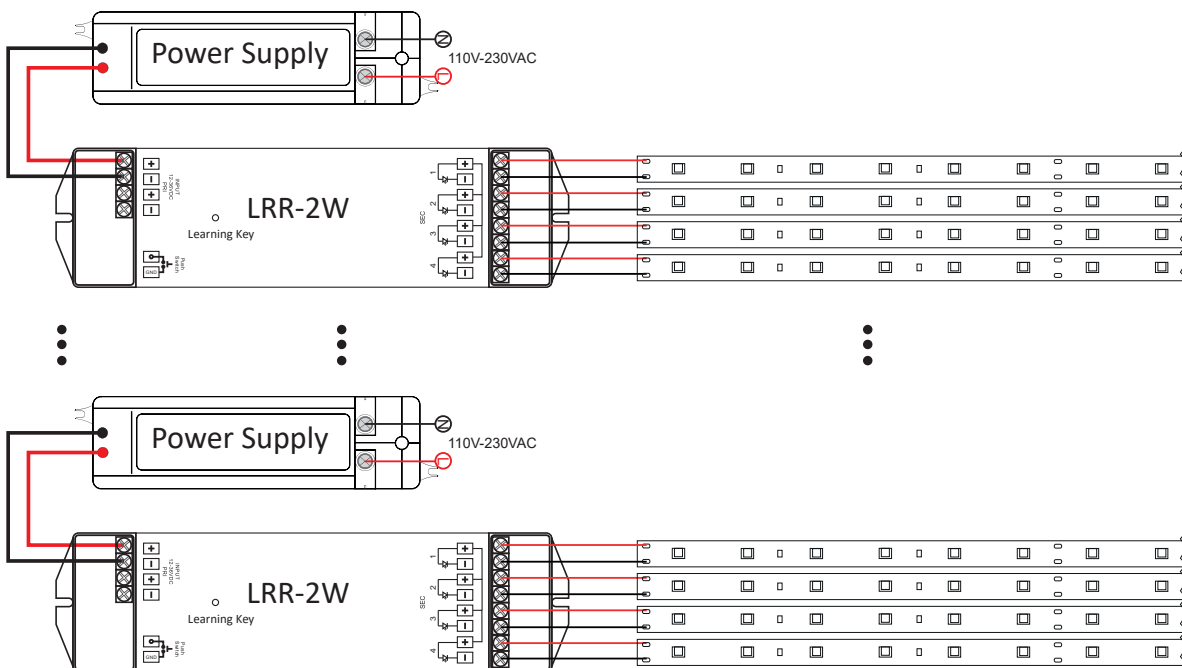
## WP-2W and LRR-2W

### 1 zone RF controller and receiver for single colour LED strip

#### Controller layout



#### Receiver wiring diagram



When wiring the receivers, it is important to make sure the total wattage of the LED strips does not exceed the maximum rated wattage per channel of the receiver. Each channel is rated at 5A, so the maximum wattage per channel is  $24 \times 5A = 120W$ . The power supply has to match the rated voltage and be superior to the total LED strip wattage by a recommended 10%.

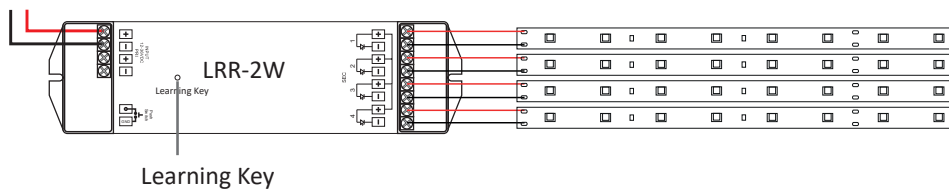
# CONTROLLER AND RECEIVER

## WP-2W and LRR-2W

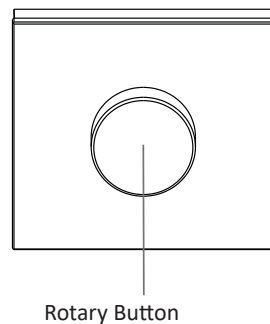
### 1 zone RF controller and receiver for single colour LED strip

#### Synchronising the controller to receiver

- 1) Ensure the receiver has power. Press the learning button on the receiver.



- 2) Press the rotary button on the controller to synchronise with the receiver.



- 3) Simply repeat the same process to synchronise several receivers to the same controller.

- 4) To clear the receiver from a selected zone, simply press and hold the learning key for 5 or more seconds. The receiver will be reset to the default factory settings.

# CONTROLLER AND RECEIVER



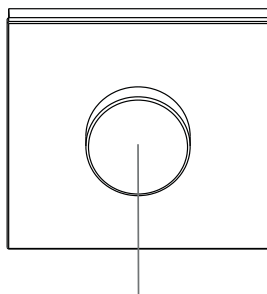
Brighter for longer

## WP-2W and LRR-2W

### 1 zone RF controller and receiver for single colour LED strip

#### Controlling your LED strip

With WP-2W you can adjust brightness of single colour LED strip.



Rotary Button

#### Rotary button

- Press to turn ON/OFF
- Turn left to right to dim up and down

#### Safety

- Products must be installed and serviced by qualified electrician.
- Please ensure the receiver is mounted in a water proof enclosure if installed in an outdoor environment, avoiding metallic enclosures.
- Always ensure products are mounted in areas with adequate ventilation to avoid overheating.
- Please ensure outputs of any power suppliers used in conjunction with this product comply with its working voltage.
- Never install product whilst connected to power and double check connections before switching on to avoid short circuits.

#### Warranty

Should this product fail during the 3 year warranty period it will be replaced free of charge, subject to the correct installation of the original product in accordance with applicable and appropriate electrical codes and instructions provided by Teucer, as well as subsequent return of the faulty unit. Teucer does not accept responsibility for any installation costs associated with the replacement of this product and Teucer reserves the right to alter specifications without prior notice. Teucer can offer 5 year warranty upon request. For further information, please see our Terms and Conditions. [www.teucerled.co.uk/terms-and-conditions/](http://www.teucerled.co.uk/terms-and-conditions/)

#### Teucer (UK) Ltd Head office

Bedford House, Fulham Green, Fulham High Street,  
London, SW6 3JW, UK  
Tel: +44 (0)20 7350 4429  
Fax: +44(0)20 7228 4647  
[www.teucerled.co.uk](http://www.teucerled.co.uk)  
[sales@teucer.eu](mailto:sales@teucer.eu)

#### Logistics Centre

Trident Court,  
1 Oakcroft Road,  
Chessington,  
Surrey, KT9 1BD, London, UK  
Tel: +44(0)20 7350 4429, extension: 401  
[warehouse@teucer.eu](mailto:warehouse@teucer.eu)

