

WP-DMX and DIM-DMX1CH 1 zone DMX controller and decoder for LED strip

Product Description

This wall panel enables the user to control RGB and RGBW strips on 1 zone. The user can pre-set colours, speeds, dimming and scroll through a selection of play modes with this versatile controller.

Features

- Adjust colour temperatures and brightness
- Touch sensitive glass
- 5%-100% smooth dimming
- Backlit buttons for night time use
- Designed to fit into your existing switch back box
- We recommend using a DMX amplifier (DIM-DMXAMP) when exceeding 55m of DMX cabling.
- Save lighting functions and preferences with scene save



Technical Specification

Controller	
Order Code	WP-DMX
Type	Wall panel
Input Voltage	12-24VDC
Operation Frequency	DMX signal output
Dimension	86x86x29mm (WxLxH)
Power	10W Driver (LD-IP10/24)

Decoder	
Order Code	DIM-DMX1CH
Type	DMX decoder
Input Voltage	12-36VDC
Current	4X5A
Output	4X(60-180)W
Note	Constant voltage
Dimension	46x178x22mm (WxLxH)

Recommendation

DMX is a standard protocol for digital communication which allows control of DMX devices / lighting from a compatible DMX controller.

We recommend using the WP-DMX controller when controlling all lighting as a single zone.

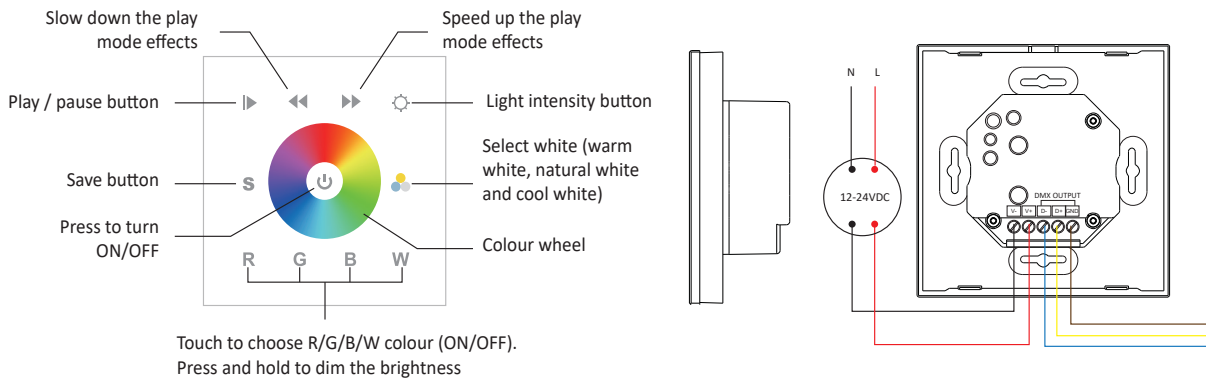
Please note that without an ON signal from a controller the DIM-DMX1CH will not switch on the connected LED strips.

- When expanding your lighting always try and use a signal repeater (PR-RGB) where possible.
- If using DMX over 55mtrs it is recommended to use a DIM-DMXAMP (amplifier) for longer distances.
- Can be used with DMX control systems

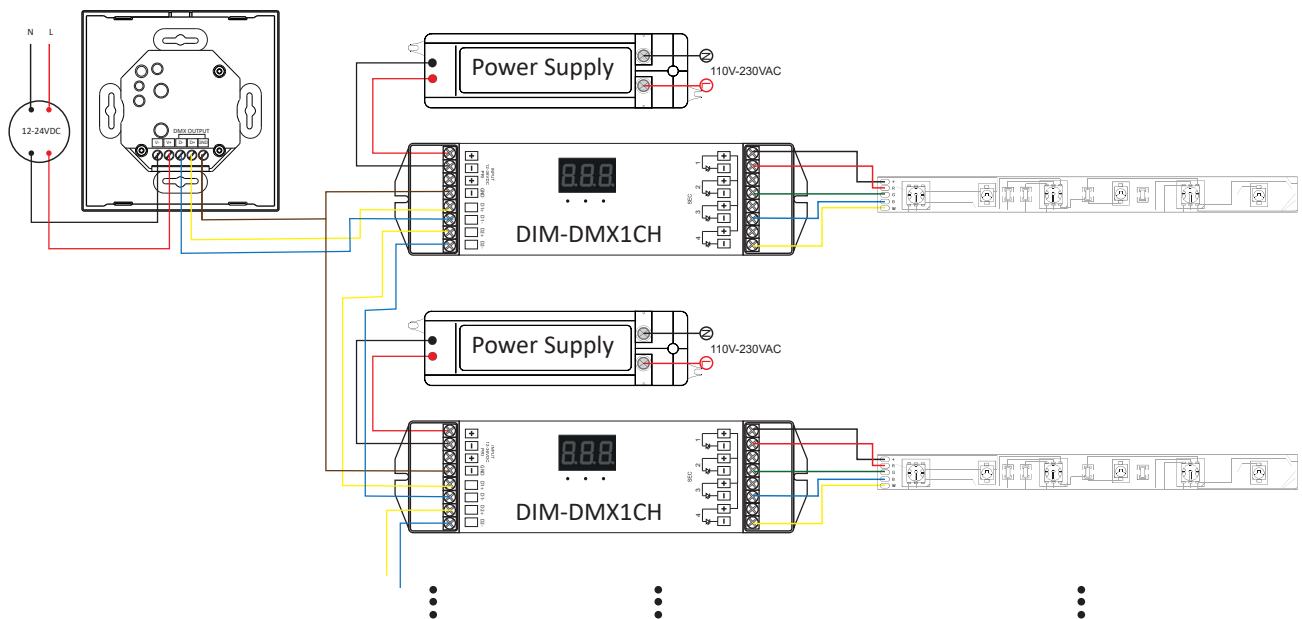
CONTROLLER AND RECEIVER

WP-DMX and DIM-DMX1CH 1 zone DMX controller and decoder for LED strip

Controller layout



Decoder wiring diagram

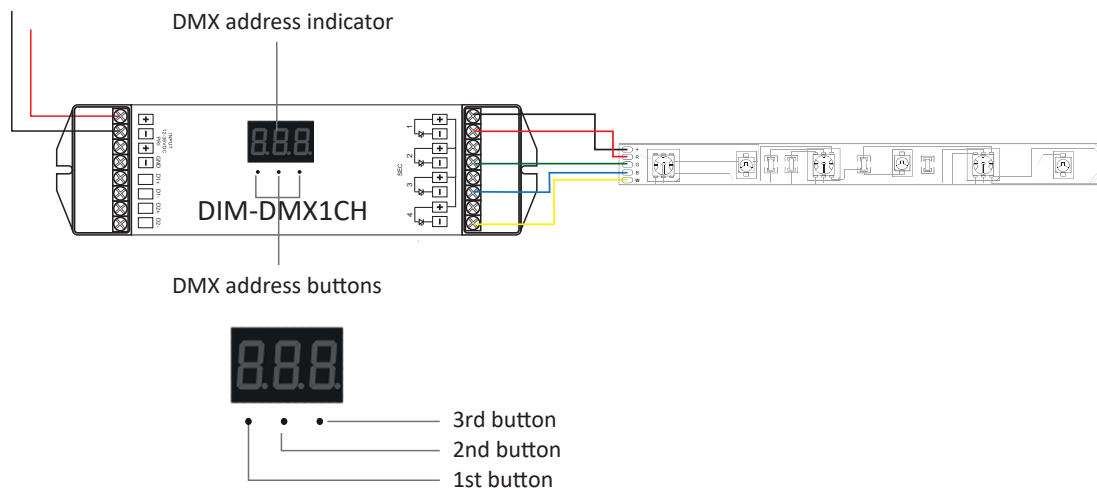


When wiring the decoders, it is important to make sure the total wattage of the LED strips does not exceed the maximum rated wattage per channel of the decoder. Each channel is rated at 5A, so the maximum wattage per channel is $24 \times 5A = 120W$. The power supply has to match the rated voltage and be superior to the total LED strip wattage by a recommended 10%.

WP-DMX and DIM-DMX1CH 1 zone DMX controller and decoder for LED strip

Synchronising the WP-DMX controller to the decoder

- 1) Ensure the wall panel is connected to a power source and turned on.
- 2) Ensure the decoder is connected to a driver.
- 3) Allocate a DMX address for all decoders to 001 by pressing the 1st button for 2 seconds, digital display flashes to set the address, then press each button to cycle through the address settings. You will see the chosen number on the address indicator display then press any button for longer than 2 seconds to confirm. Once the setting is completed, the address indicator should display 001.



- 4) Once the decoders are addressed, use the controller to switch ON and control your LED strips.

Synchronising the 4 zone controller to the decoder

DIM-DMX1CH decoder can also be used with a 4 zone controller. To synchronise it to the 4 zone controller, follow steps 1 and 2 above.

- 3) Allocate a DMX address for all decoders by pressing the 1st button for 2 seconds, digital display flashes to set the required DMX address then press each button to cycle through the address settings. You will see the chosen number on the address indicator display then press any button for longer than 2 seconds to confirm. Once the setting is completed, the address indicator should display 001 for zone 1, 005 for zone 2, 009 for zone 3 and 013 for zone 4.

Default DMX decoder addresses	
Zone 1	001
Zone 2	005
Zone 3	009
Zone 4	013

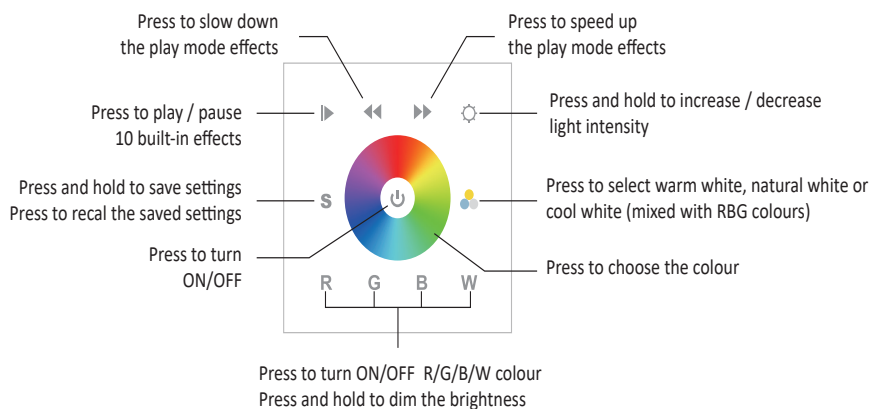
- 4) Once the decoders are addressed to the default addresses, press the zone you wish to control on the controller to switch the strip ON.

Note: The DIM-DMX1CH decoder is set by default to 4 channels output.

WP-DMX and DIM-DMX1CH 1 zone DMX controller and decoder for LED strip

Controlling your LED strip

With WP-DMX one can adjust the brightness and colour temperature of the RGB or RGBW LED strip.



- Use the colour wheel to adjust the colour.
- Choose R/G/B/W channel to dim the brightness of each channel separately or simultaneously.
- Use different play modes for different effects.
- Speed up or slow down the play mode effects.

- To save a specific colour and brightness that is displayed, press and hold S.
- To recall a saved setting, select your zone and press S.
- To save over an existing setting, just follow the same procedure.

Safety

- Products must be installed and serviced by qualified electrician.
- Please ensure the receiver is mounted in a water proof enclosure if installed in an outdoor environment, avoiding metallic enclosures.
- Always ensure products are mounted in areas with adequate ventilation to avoid overheating.
- Please ensure outputs of any power suppliers used in conjunction with this product comply with its working voltage.
- Never install product whilst connected to power and double check connections before switching on to avoid short circuits.

Warranty

Should this product fail during the 3 year warranty period it will be replaced free of charge, subject to the correct installation of the original product in accordance with applicable and appropriate electrical codes and instructions provided by Teucer, as well as subsequent return of the faulty unit. Teucer does not accept responsibility for any installation costs associated with the replacement of this product and Teucer reserves the right to alter specifications without prior notice. Teucer can offer 5 year warranty upon request. For further information, please see our Terms and Conditions. www.teucerled.co.uk/terms-and-conditions/

Teucer (UK) Ltd
Head office

Bedford House, Fulham Green, Fulham High Street,
London, SW6 3JW, UK
Tel: +44 (0)20 7350 4429
Fax: +44(0)20 7228 4647
www.teucerled.co.uk
sales@teucer.eu

Logistics Centre

Trident Court,
1 Oakcroft Road,
Chessington,
Surrey, KT9 1BD, London, UK
Tel: +44(0)20 7350 4429, extension: 401
warehouse@teucer.eu