

WP-DMX and DIM-DMX1CH(N) 1 zone DMX controller and decoder for single colour LED strip

Product Description

This wall panel enables the user to control RGB and RGBW strips on 1 zone. The user can pre-set colours, speeds, dimming and scroll through a selection of play modes with this versatile controller.

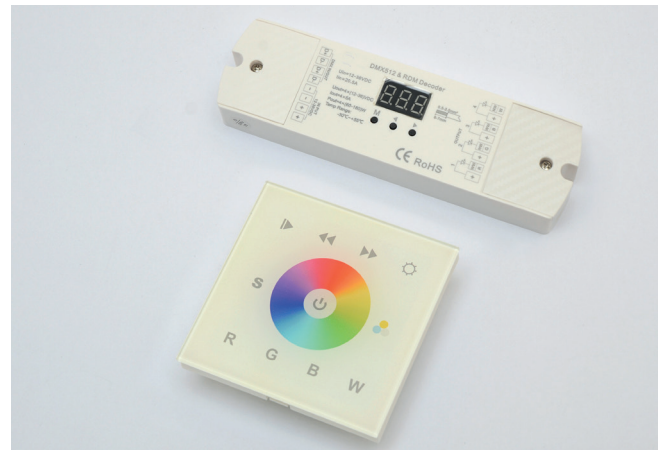
Features

- Adjust colour temperatures and brightness
- Touch sensitive glass
- 5%-100% smooth dimming
- Backlit buttons for night time use
- Designed to fit into your existing switch back box
- We recommend using a DMX amplifier (DIM-DMXAMP) when exceeding 55m of DMX cabling.
- Save lighting functions and preferences with scene save

Technical Specification

Controller	
Order Code	WP-DMX
Type	Wall panel
Input Voltage	12-24VDC
Operation Frequency	DMX signal output
Dimension	86x86x29mm (WxLxH)
Power	10W Driver (LD-IP10/24)

Receiver	
Order Code	DIM-DMX1CH(N)
Type	DMX decoder
Input Voltage	12-24VDC
Current	4x5A
Output	4x(60-120)W
Note	Constant voltage
Dimension	50x170x23mm (WxLxH)



Recommendation

DMX is a standard protocol for digital communication which allows control of DMX devices / lighting from a compatible DMX controller.

We recommend using the WP-DMX controller when controlling all lighting as a single zone.

Please note that without an ON signal from a controller the DIM-DMX1CH will not switch on the connected LED strips.

- When expanding your lighting always try and use a signal repeater (PR-RGB) where possible.
- If using DMX over 55mtrs it is recommended to use a DIM-DMXAMP (amplifier) for longer distances.
- Can be used with DMX control systems

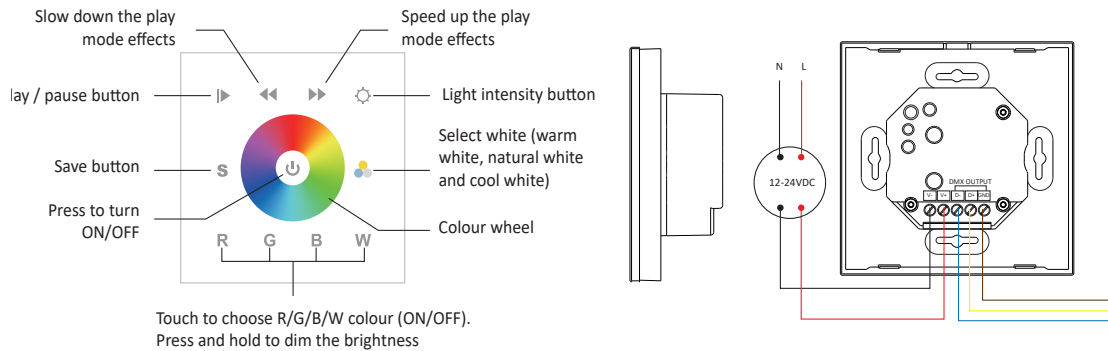
CONTROLLER AND RECEIVER



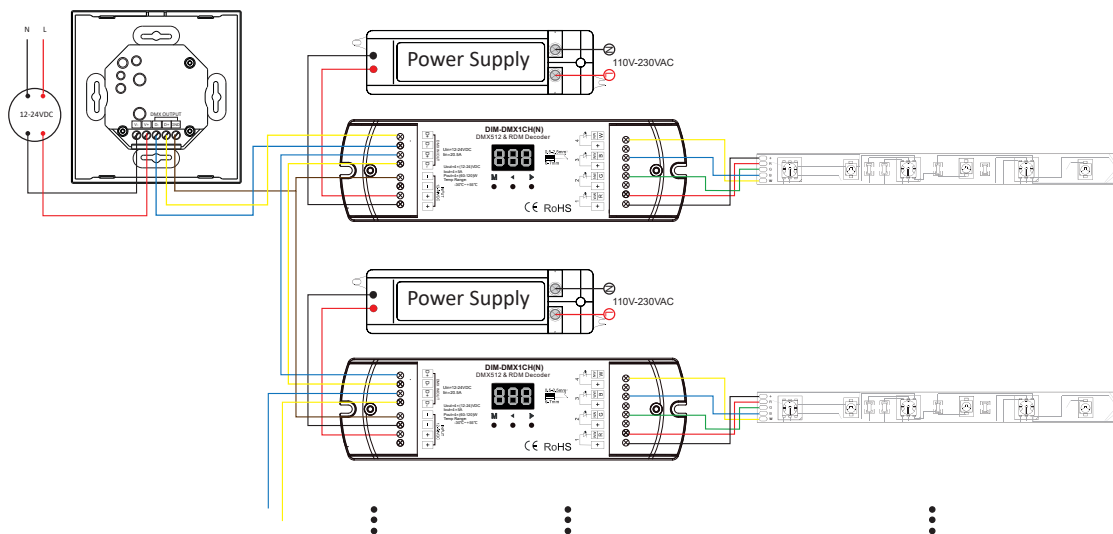
Brighter for longer

WP-DMX and DIM-DMX1CH(N) 1 zone DMX controller and decoder for single colour LED strip

Controller layout



Decoder wiring diagram



When wiring the decoders, it is important to make sure the total wattage of the LED strips does not exceed the maximum rated wattage per channel of the decoder. Each channel is rated at 5A, so the maximum wattage per channel is $24 \times 5A = 120W$. The power supply has to match the rated voltage and be superior to the total LED strip wattage by a recommended 10%.



CONTROLLER AND RECEIVER



Brighter for longer

WP-DMX and DIM-DMX1CH(N) 1 zone DMX controller and decoder for single colour LED strip

Example Address Setting

Addresses for the RGB / RGBW mode when using a single decoder

MODE	Address 1	Address 2	Address 3	Address 4
RGB MODE	*001	*004	*007	*010
RGBW MODE	*001	*005	*009	*013

Addresses for the RGB / RGBW mode when using multiple decoders

R	G	B	W	DECODER NUMBER
1	2	3	4	DECODER 1
5	6	7	8	DECODER 2
9	10	11	12	DECODER 3
13	14	15	16	DECODER 4

Addresses for Tunable white (1 & 2 = ZONE 1, 3 & 4 = ZONE 2, 5 & 6 = zone 3 etc.)

WARM WHITE	COOL WHITE	WARM WHITE	COOL WHITE	DECODER NUMBER
1	2	3	4	DECODER 1
5	6	7	8	DECODER 2

Troubleshoot

Problem	Cause	Corrective
No light	<ul style="list-style-type: none">No power.Wrong connection or unsecure connection.	<ul style="list-style-type: none">Check the power.Check the connection.
Wrong Colour	<ul style="list-style-type: none">Wrong connection of RGB/W wires.	<ul style="list-style-type: none">Retrace and reconnect RGB/W wires.
Uneven intensity between front and rear of the strip, with voltage drop	<ul style="list-style-type: none">Output cable is too long.Cable diameter is too small.Overload beyond driver capability.Overload beyond receiver capability.	<ul style="list-style-type: none">Reduce cable or loop supply.Change to a thicker cable.Replace with a suitable higher power driver.Add a power repeater.

CONTROLLER AND RECEIVER



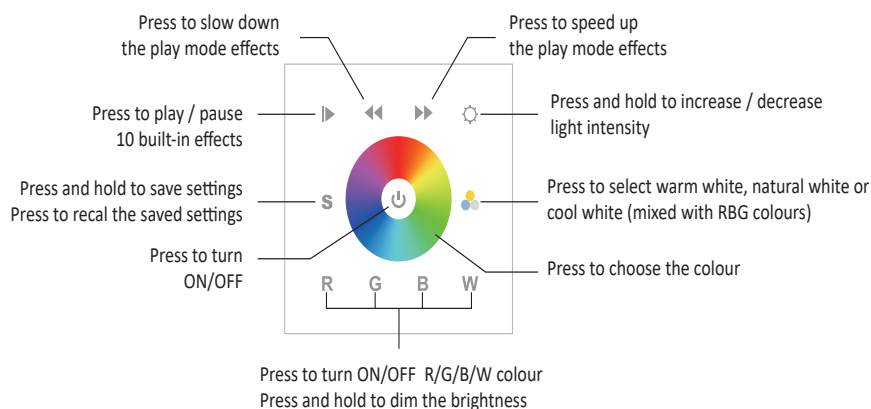
Brighter for longer

WP-DMX and DIM-DMX1CH(N)

1 zone DMX controller and decoder for single colour LED strip

Controlling your LED strip

With WP-DMX one can adjust the brightness and colour temperature of the RGB or RGBW LED strip.



- Use the colour wheel to adjust the colour.
- Choose R/G/B/W channel to dim the brightness of each channel separately or simultaneously.
- Use different play modes for different effects.
- Speed up or slow down the play mode effects.

- To save a specific colour and brightness that is displayed, press and hold S.
- To recall a saved setting, select your zone and press S.
- To save over an existing setting, just follow the same procedure.

Safety

- Products must be installed and serviced by qualified electrician.
- Please ensure the receiver is mounted in a water proof enclosure if installed in an outdoor environment, avoiding metallic enclosures.
- Always ensure products are mounted in areas with adequate ventilation to avoid overheating.
- Please ensure outputs of any power suppliers used in conjunction with this product comply with its working voltage.
- Never install product whilst connected to power and double check connections before switching on to avoid short circuits.

Warranty

Should this product fail during the 3 year warranty period it will be replaced free of charge, subject to the correct installation of the original product in accordance with applicable and appropriate electrical codes and instructions provided by Teucer, as well as subsequent return of the faulty unit. Teucer does not accept responsibility for any installation costs associated with the replacement of this product and Teucer reserves the right to alter specifications without prior notice. Teucer can offer 5 year warranty upon request. For further information, please see our Terms and Conditions. www.teucerled.co.uk/terms-and-conditions/

Teucer (UK) Ltd Head office

Bedford House, Fulham Green, Fulham High Street,
London, SW6 3JW, UK
Tel: +44 (0)20 7350 4429
Fax: +44(0)20 7228 4647
www.teucerled.co.uk
sales@teucer.eu

Logistics Centre

Trident Court,
1 Oakcroft Road,
Chessington,
Surrey, KT9 1BD, London, UK
Tel: +44(0)20 7350 4429, extension: 401
warehouse@teucer.eu

