

## WP-4RGBWN and DIM-DMX1CH 4 zones RF controller with DMX decoder for RGB/W LED strip

### Product Description

The WP-4RGBWN wall panel enables control of 1 to 4 zones of RGB/W LED strip. Featuring a simple to use back lit touch control slider for easy colour adjustment .

### Features

- Enables control via DMX (when used with DIM-DMX1CH) or wirelessly via RF with a Teucer RF receiver.
- Supports single zone independent control or multiple zone synchronous control.
- Ultra-sensitive backlit high strength glass touch panel.
- Smooth and accurate colour adjustment via a touch colour slider.
- Independent brightness adjustment of each RGB channel to achieve a vast pallet of colours.
- Built in 30 optional change modes with adjustable speed and brightness.

### Technical Specification

Controller	
Order Code	WP-4RGBWN
Type	RF and DMX wall panel
Input Voltage	AC85-265V
Operation Frequency	2.4GHz
Dimension	86x86x36.5mm (WxLxH)

Decoder	
Order Code	DIM-DMX1CH
Type	DMX decoder
Input Voltage	12-36VDC
Current	4X5A
Output	4X(60-180)W
Note	Constant voltage
Dimension	46x178x22mm (WxLxH)

### Product Image



### Recommendation

DMX is a standard protocol for digital communication which allows control of DMX devices / lighting from a compatible DMX controller.

We recommend using the WP-4RGBWN controller when controlling all lighting as a single zone.

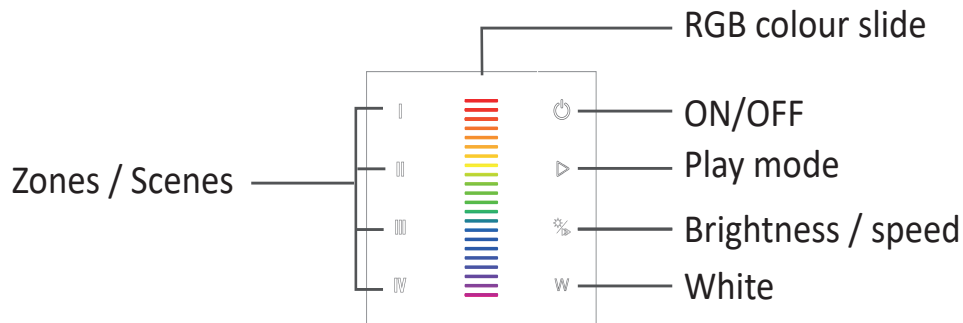
Please note that the connected LED strips will not switch ON with the DIMDMX1CH without an ON signal received from a controller or wall panel.

- When expanding your lighting always try and use a signal repeater (PR-RGB) where possible.
- If using DMX over 55mtrs it is recommended to use a DIM-DMXAMP (amplifier) for longer distances.
- Can be used with DMX control systems

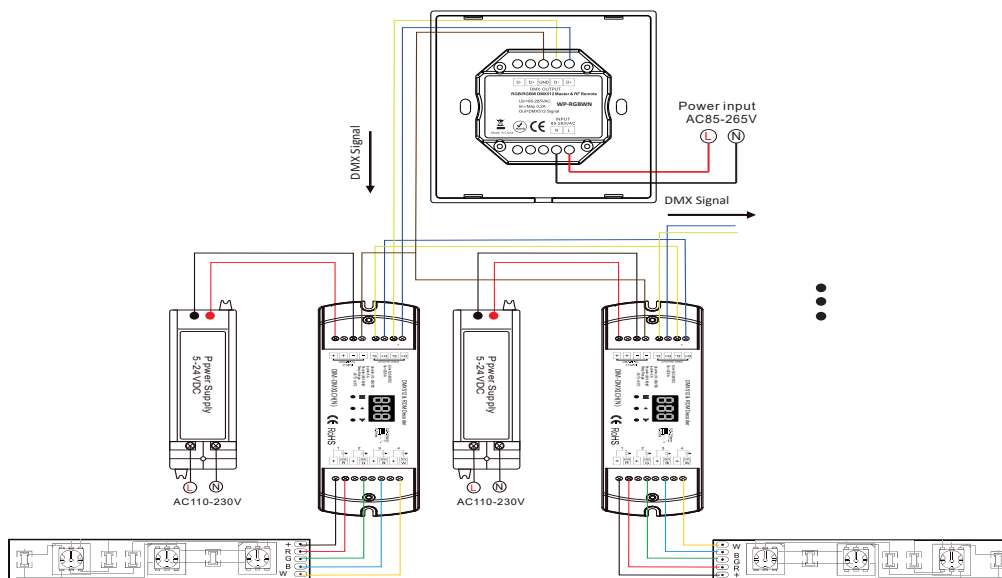
# CONTROLLER AND DMX DECODER

## WP-4RGBWN and DIM-DMX1CH 4 zones RF controller with DMX decoder for RGB/W LED strip

### Controller layout



### Decoder wiring diagram



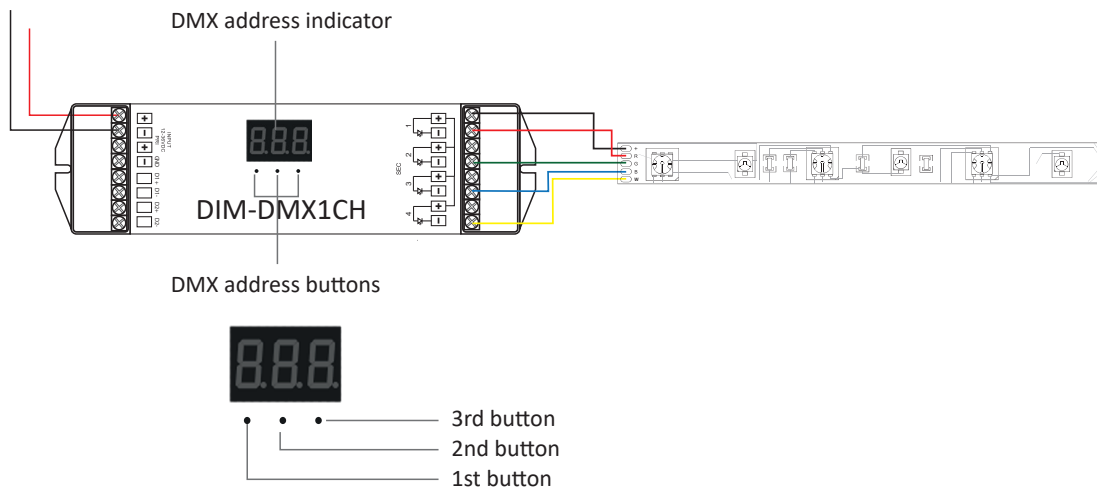
When wiring the decoders, it is important to make sure the total wattage of the LED strips does not exceed the maximum rated wattage per channel of the decoder. Each channel is rated at 5A, so the maximum wattage per channel is  $24 \times 5A = 120W$ . The power supply has to match the rated voltage and be superior to the total LED strip wattage by a recommended 10%.

## WP-4RGBWN and DIM-DMX1CH 4 zones RF controller with DMX decoder for RGB/W LED strip

### Synchronising the WP-4RGBW controller to the decoder

- 1) Ensure the wall panel is connected to a power source and turned on.
- 2) Ensure the decoder is connected to a driver.
- 3) Allocate a DMX address for all decoders by pressing the 1st button for 2 seconds, digital display flashes to set the required DMX address then press each button to cycle through the address settings. You will see the chosen number on the address indicator display, then press any button for longer than 2 seconds to confirm. Once the setting is completed, the address indicator should display 001 for zone 1, 005 for zone 2, 009 for zone 3 and 013 for zone 4.

Default DMX decoder addresses	
Zone 1	001
Zone 2	005
Zone 3	009
Zone 4	013



- 4) Once the decoders are addressed to the default addresses, press the zone you wish to control on the controller to switch the strip ON.

Note: The DIM-DMX1CH decoder is set by default to 4 channels output.

### Example Address Setting

Addresses for the RGB / RGBW mode when using a single decoder:

MODE	Starting Address/ 1st Channel	2nd Channel	3rd Channel	4th Channel
RGB/RGBW Zone 1	001	002	003	004
RGB/RGBW Zone 2	005	006	007	008
RGB/RGBW Zone 3	009	010	011	012
RGB/RGBW Zone 4	013	014	015	016

Each RGB/RGBW Zone will use 4 channels.

Addresses for the RGB / RGBW mode when using multiple decoders

R	G	B	W	DECODER NUMBER
001	002	003	004	DECODER 1
005	006	007	008	DECODER 2
009	010	011	012	DECODER 3
013	014	015	016	DECODER 4

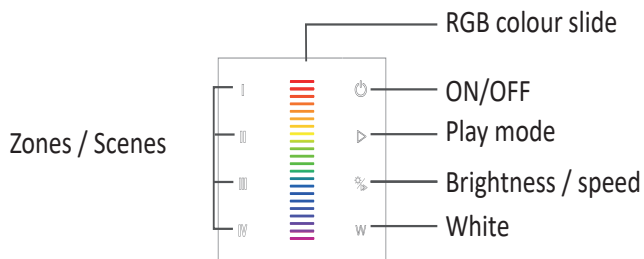
# CONTROLLER AND DMX DECODER



Brighter for longer

## WP-4RGBWN and DIM-DMX1CH 4 zones RF controller with DMX decoder for RGB/W LED strip

### Controlling your LED strip



- To adjust the colour, touch the RGB colour slider.
- To change the brightness, press the brightness button.
- On/Off: For single zone: Turn ON/OFF strips.
- For 4 Zone: Short press turn ON/OFF current zone light, long press 2s turn OFF all zones strips.
- Mode: Short press to run next mode, long press 2s runs mode-cycle.
- W: Short press to turn ON/OFF W channel,
- Long press 1-5s for continuous 256 levels adjustment of the white channel brightness.
- Zone: Choose the zone you wish to control.
- Zone / Scene: When used as 4 scene: Short press to run the scene, long press 2s to save.

- There are 30 dynamic modes, press the play mode button to browse through modes. To choose the mode, press and hold play mode for 2 seconds.
- There are 10 speeds for the play modes. Press the speed button to browse through the speed levels.
- Press and hold the speed button to go to the highest speed level.
- To save your favourite setup, press and hold scene buttons.
- To recall saved setup, press scene button.
- You can save up to 4 scenes.

### Safety

- Products must be installed and serviced by qualified electrician.
- Please ensure the receiver is mounted in a water proof enclosure if installed in an outdoor environment, avoiding metallic enclosures.
- Always ensure products are mounted in areas with adequate ventilation to avoid overheating.
- Please ensure outputs of any power suppliers used in conjunction with this product comply with its working voltage.
- Never install product whilst connected to power and double check connections before switching on to avoid short circuits.

### Warranty

Should this product fail during the 3 year warranty period it will be replaced free of charge, subject to the correct installation of the original product in accordance with applicable and appropriate electrical codes and instructions provided by Teucer, as well as subsequent return of the faulty unit. Teucer does not accept responsibility for any installation costs associated with the replacement of this product and Teucer reserves the right to alter specifications without prior notice. Teucer can offer 5 year warranty upon request. For further information, please see our Terms and Conditions. [www.teucerled.co.uk/terms-and-conditions/](http://www.teucerled.co.uk/terms-and-conditions/)

**Teucer (UK) Ltd**  
Head office

Bedford House, Fulham Green, Fulham High Street,  
London, SW6 3JW, UK  
Tel: +44 (0)20 7350 4429  
Fax: +44(0)20 7228 4647  
[www.teucerled.co.uk](http://www.teucerled.co.uk)  
[sales@teucer.eu](mailto:sales@teucer.eu)

Logistics Centre

Trident Court,  
1 Oakcroft Road,  
Chessington,  
Surrey, KT9 1BD, London, UK  
Tel: +44(0)20 7350 4429, extension: 401  
[warehouse@teucer.eu](mailto:warehouse@teucer.eu)

