

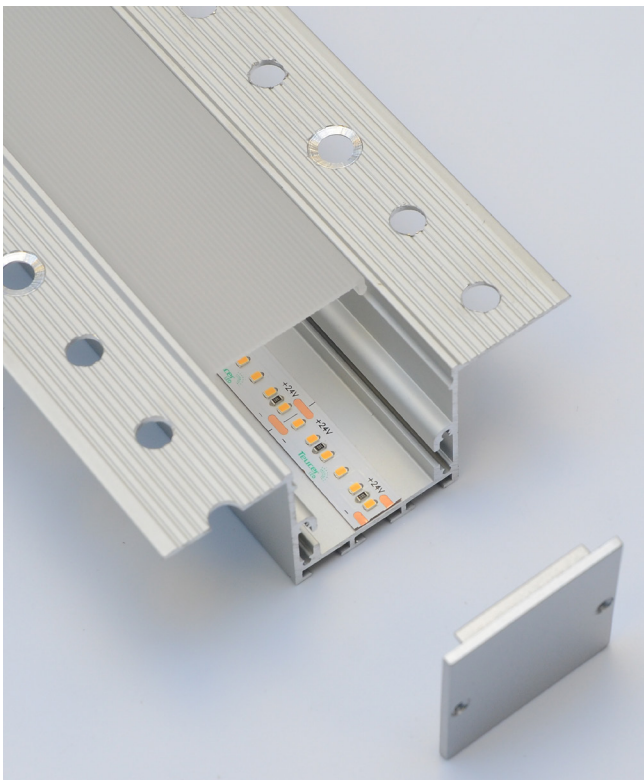
Modular aluminium profiles

ALP-6



The ALP-6 profile is ideal for many plasterboard applications. It creates a continuous light effect through internal and external corners and angles. This recessed profile is ideal for perfecting flush installations with greater ease. It comes with a range of pre-made linear extensions and modular connectors making it great for achieving the seamless effect.

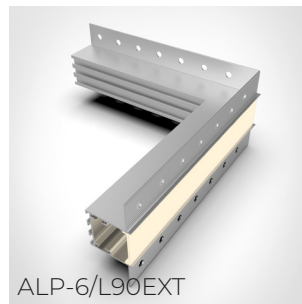
Recessed



ALP-6/L90



ALP-6/L90INT

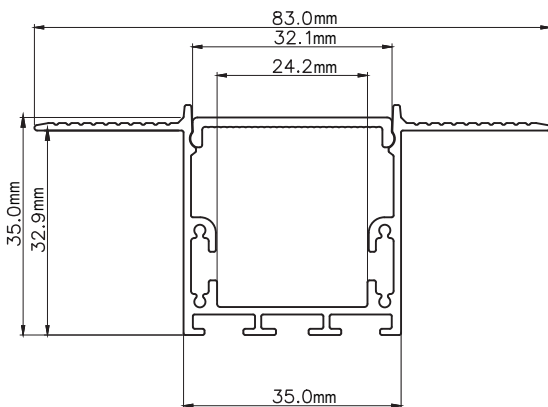


ALP-6/L90EXT



ALP-6/L135

Dimensions



Technical specification

Code	Description	Dimensions
ALP-6/1M	Modular plasterboard mounted aluminium profile SET	1m
ALP-6/2M	Modular plasterboard mounted aluminium profile SET	2m
ALP-6/L90	90° Corner connector SET	20 X 20cm
ALP-6/L90INT	90° Internal corner connector SET	20 X 20cm
ALP-6/L90EXT	90° External corner connector SET	20 X 20cm
ALP-6/L135	135° Angle connector SET	20 X 20cm
Construction	anodised aluminium 6063 * black * white	
IP rating	IP20	

* available upon request, subject to MOQ

All sets include diffusers.

Accessories

Code	Item
AL-RAIL	Rail connector for ALS-5, ALS-5i, ALS-6i, ALP-6 & ALP-6e
ALP-6/ENDCAPS	2 pcs of end caps for ALP-6 and ALP-6e

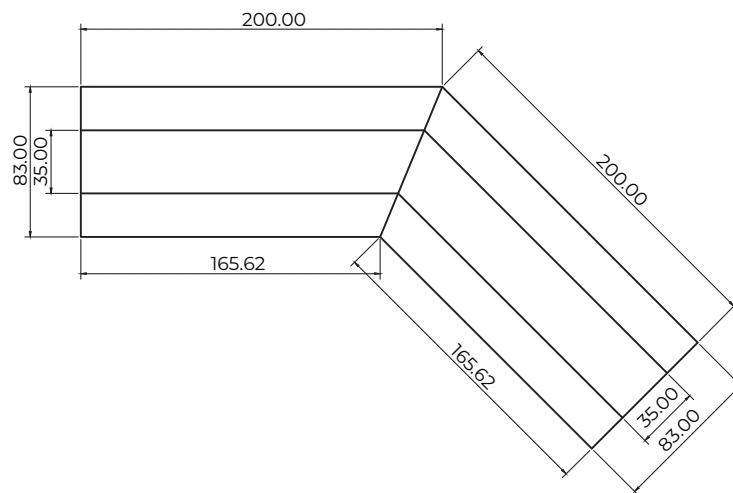
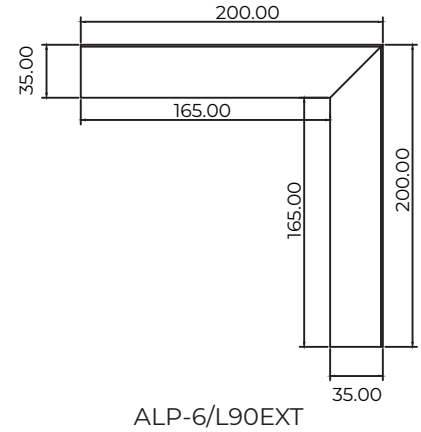
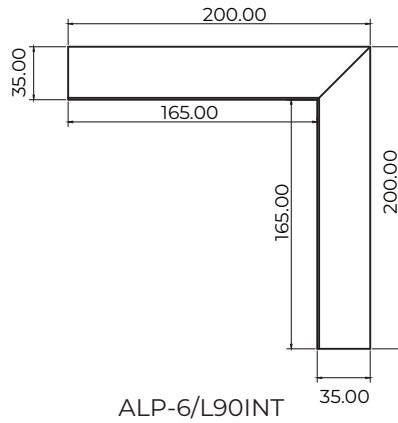
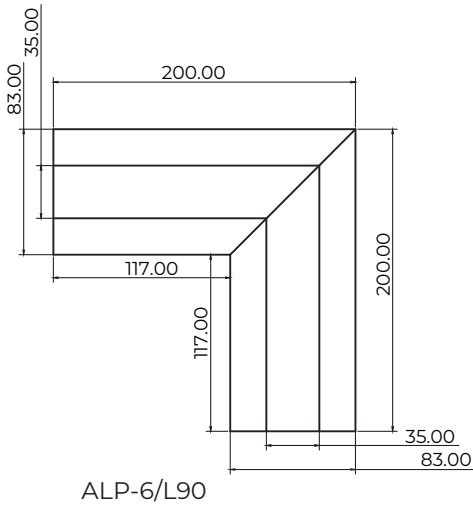
Note

For compatibility of LED strip with aluminium profile, please refer to the compatibility chart in our catalogue or on our website:

www.teucerled.co.uk/compatibilitychart

Modular aluminium profiles

ALP-6



* dimensions are in mm

Teucer (UK) Ltd
Head office

Bedford House, Fulham Green
69-79 Fulham High Street
London, SW6 3JW, UK
Tel: +44 (0)20 7350 4429
Fax: +44(0)20 7228 4647
www.teucerled.co.uk
sales@teucer.eu

