

100W Mains Dimmable LED Driver

Constant Voltage IP66 24VDC



LDD-IP100/24(N)



Technical Specification

Order Code	LDD-IP100/24(N)	
Output	Rated Power	100W
	Rated Current	4.17A
	Output Voltage	24V DC
	Voltage Tolerance	±0.5V
Input	Voltage Range	200~240VAC
	Frequency Range	47~63Hz
	Efficiency (Typ)	84%
	Power Factor	PF≥0.97/200-240VAC(Full loading)
	AC Current (Typ)	0.8A
	Inrush Current (Max)	30A (50% Ipeak Twidth=200µs) 230VAC
	Protection	Overload
Short circuit		Recovers automatically after condition is removed
Environment	Working Temp	-40~+60°C
	Working Humidity	20~90%RH, non-condensing
	Ingress Protection	IP66 waterproof
	Storage Temp / Humidity	-40~+80°C, 10~95%RH
Safety & EMC	Safety Standards (LVD)	EN61347-2-13:2014/A1:2017, EN61347-1:2015, EN 62493:2015, VDE 0710-14:1982
	Withstand Voltage	I/P-O/P:3.75KVAC
	Isolation Resistance	I/P-O/ P:100MΩ / 500VDC / 25°C / 70%RH
	EMC Emission and Immunity	EN 55015:2013/A1:2015, EN 61547:2009, EN 61000-3-2:2014, EN 61000-3-3:2013
Dimming	Dimming Type	PWM dimming, PWM frequency ~ 400Hz
	Minimum Load to achieve optimum dimming of 5-100%	10%, 10W
	Dimmer	Leading Edge and Trailing Edge
	Note	Consult the Derating Curve for load guidance.
Mechanical	Size	230x70x43mm (L×W×H)
	Weight	1.1Kg

To calculate the maximum number of drivers per mcb the following calculation can be applied:
 Number for drivers= Ipeak (breaker)/ I surge (driver).
 Consult breaker manufacturer for guidance on circuit breakers for direct current applications.

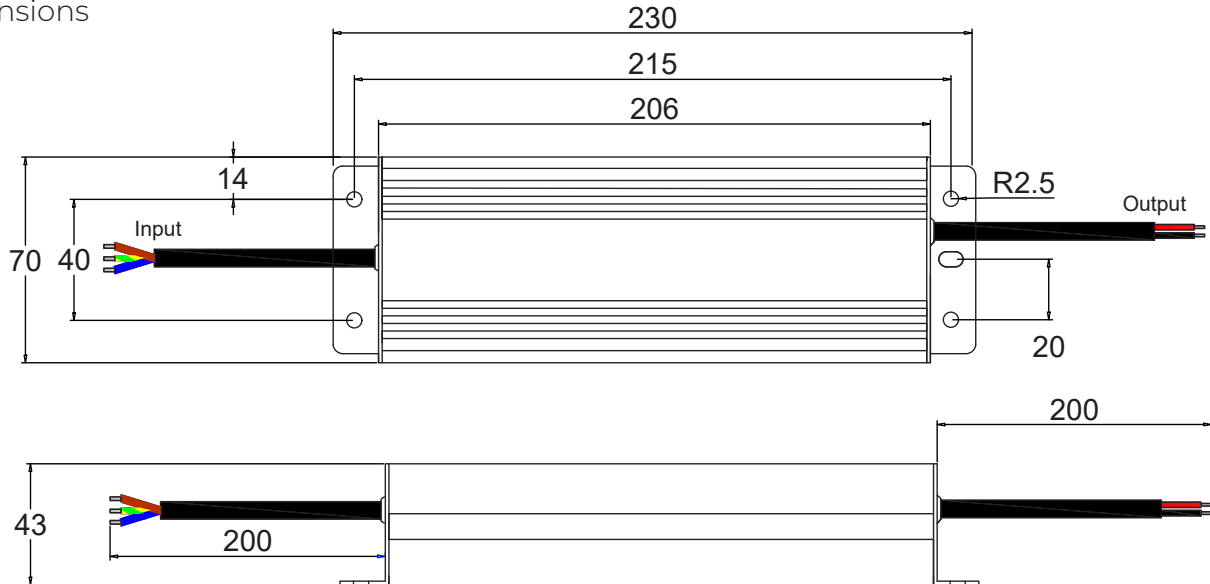


100W Mains Dimmable LED Driver

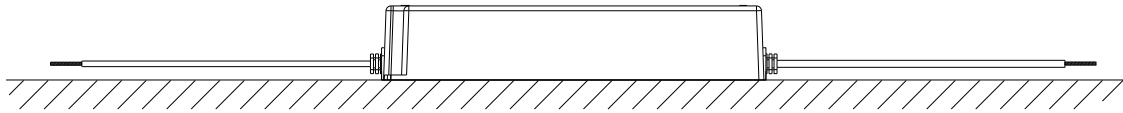
Constant Voltage IP66 24VDC



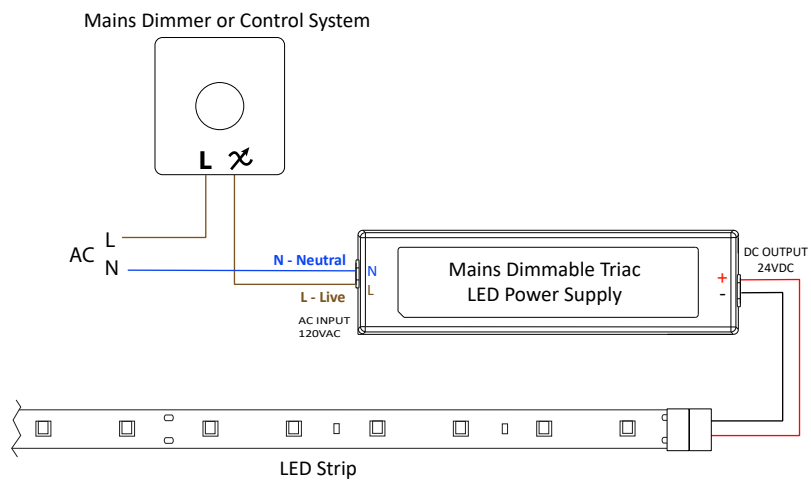
Dimensions



Recommended Mounting Position



Wiring diagram



100W Mains Dimmable LED Driver

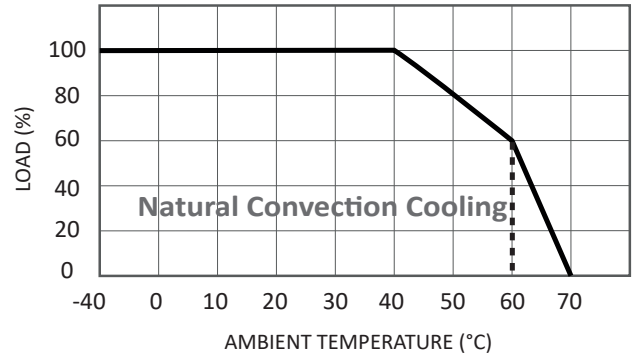
Constant Voltage IP66 24VDC



Note

For compatibility of dimmable drivers with mains dimmers and home automation systems please refer to the compatibility chart on our website: www.teucerled.co.uk/dimmerscompatibility

Derating Curve



Warranty

Should this product fail during the 5 year warranty period it will be replaced free of charge, subject to the correct installation of the original product in accordance with applicable and appropriate electrical codes and instructions provided by Teucer, as well as subsequent return of the faulty unit. LED strips of 9.6W/m and above MUST be mounted on an appropriate aluminium profile to guarantee product performance and Teucer warranty.

Teucer does not accept responsibility for any installation costs associated with the replacement of this product and Teucer reserves the right to alter specifications without prior notice. For further information, please see our Terms and Conditions. www.teucerled.co.uk/terms-and-conditions/.

Teucer (UK) Ltd
Head office

Bedford House, Fulham Green
69-79 Fulham High Street
London, SW6 3JW, UK
Tel: +44 (0)20 7350 4429
Fax: +44(0)20 7228 4647
www.teucerled.co.uk
sales@teucer.eu



V001

www.teucerled.co.uk