

# 150W Mains Dimmable LED Driver

Constant Voltage IP66 24VDC



## LDD-IP150/24(N)



### Technical Specification

Order Code		LDD-IP150/24(N)
Output	Rated Power	150W
	Rated Current	6.25A
	Output Voltage	24V DC
	Voltage Tolerance	±0.5V
Input	Voltage Range	200~240VAC
	Frequency Range	47~63Hz
	Efficiency (Typ)	86%
	Power Factor	PF≥0.97/200-240VAC(Full loading)
Protection	AC Current (Typ)	1.2A
	Inrush Current (Max)	55A (50% Ipeak Twidth=220µs) 230VAC
	Overload	≤ 120%
Environment	Short circuit	Recovers automatically after condition is removed
	Working Temp	-40~+60°C
	Working Humidity	20~90%RH, non-condensing
	Ingress Protection	IP66 waterproof
Safety & EMC	Storage Temp / Humidity	-40~+80°C, 10~95%RH
	Safety Standards (LVD)	EN 61347-2-13:2014/A1:2017, EN61347-1:2015, EN 62493:2015, VDE 0710-14:1982
	Withstand Voltage	I/P-O/P:3.75KVAC
	Isolation Resistance	I/P-O/ P:100MΩ / 500VDC / 25°C / 70%RH
Dimming	EMC Emission and Immunity	EN 55015:2013/A1:2015, EN 61547:2009, EN 61000-3-2:2014, EN 61000-3-3:2013
	Dimming Type	PWM dimming, PWM frequency ~ 400Hz
	Minimum Load to achieve optimum dimming of 5-100%	10%, 15w
	Dimmer	Leading Edge and Trailing Edge
Mechanical	Note	Consult the Derating Curve for load guidance.
	Size	256x78x47mm (L×W×H)
	Weight	1.45Kg

To calculate the maximum number of drivers per mcb the following calculation can be applied:  
Number for drivers= Ipeak (breaker)/ I surge (driver).  
Consult breaker manufacturer for guidance on circuit breakers for direct current applications.

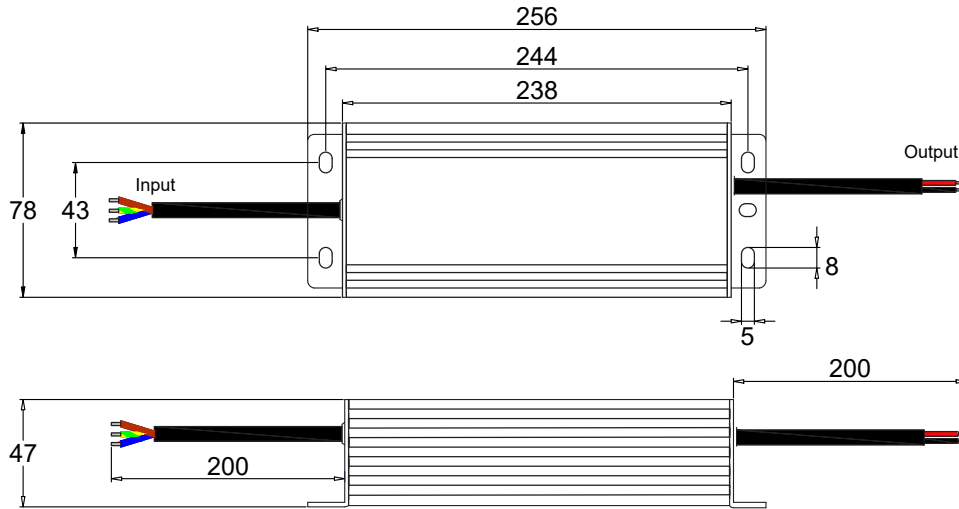


# 150W Mains Dimmable LED Driver

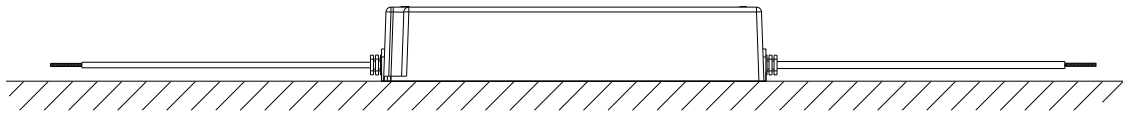
Constant Voltage IP66 24VDC



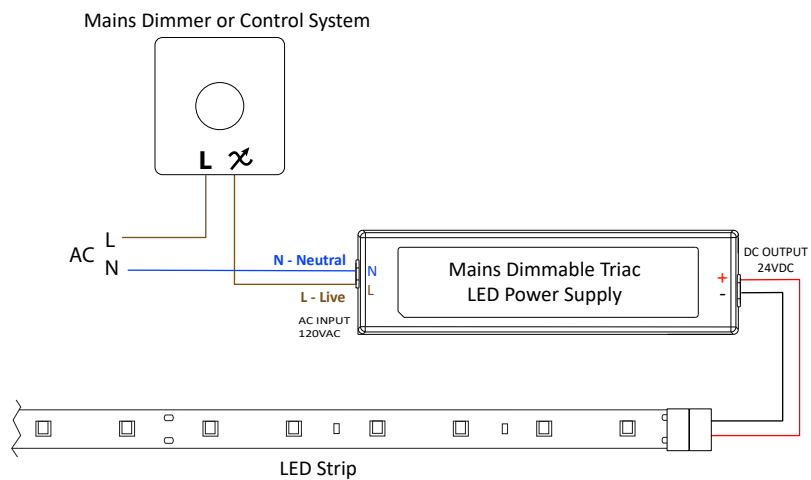
## Dimensions



## Recommended Mounting Position



## Wiring diagram



# 150W Mains Dimmable LED Driver

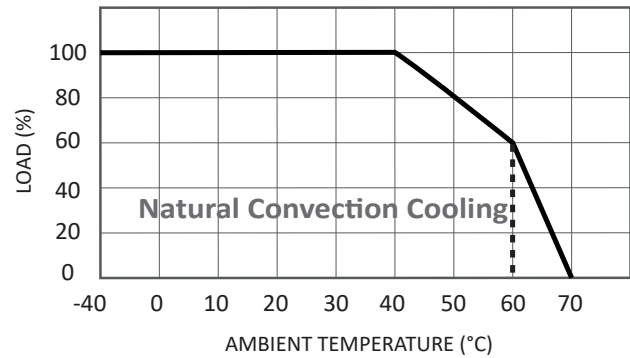
Constant Voltage IP66 24VDC



## Note

For compatibility of dimmable drivers with mains dimmers and home automation systems please refer to the compatibility chart on our website: [www.teucerled.co.uk/dimmerscompatibility](http://www.teucerled.co.uk/dimmerscompatibility)

## Derating Curve



## Warranty

Should this product fail during the 5 year warranty period it will be replaced free of charge, subject to the correct installation of the original product in accordance with applicable and appropriate electrical codes and instructions provided by Teucer, as well as subsequent return of the faulty unit. LED strips of 9.6W/m and above MUST be mounted on an appropriate aluminium profile to guarantee product performance and Teucer warranty.

Teucer does not accept responsibility for any installation costs associated with the replacement of this product and Teucer reserves the right to alter specifications without prior notice. For further information, please see our Terms and Conditions. [www.teucerled.co.uk/terms-and-conditions/](http://www.teucerled.co.uk/terms-and-conditions/).

Teucer (UK) Ltd  
Head office

Bedford House, Fulham Green  
69-79 Fulham High Street  
London, SW6 3JW, UK  
Tel: +44 (0)20 7350 4429  
Fax: +44(0)20 7228 4647  
[www.teucerled.co.uk](http://www.teucerled.co.uk)  
[sales@teucer.eu](mailto:sales@teucer.eu)



V001

[www.teucerled.co.uk](http://www.teucerled.co.uk)