

Controller and receiver

LR-4RGCCT and R5C



4 zones RF controller and receiver for RGCCT LED strip

Product Description

The LR-4RGCCT remote enables one to control up to 4 zones of RGCCT LED strips.

Featuring a touch colour wheel which offers smooth and continuous colour changing options and enables creation of colourful static and dynamic effects.

Features

- Easy control of RGCCT LED strips.
- Single zone, two, three and four zone control.
- 2.4GHz wireless technology, remote distance of up to 30m.
- Operates with an LED indicator light for ease of use.
- Each remote can control one or more receivers.
- Control each zone separately or simultaneously
- Receiver auto-synchronization for play modes
- Auto-transmitting function to achieve greater distances between receivers and the remote
- PWM dimming enables flicker-less dimming
- Built in 10 RGB play modes

Technical Specification

Controller	
Order Code	LR-4RGCCT
Type	RF Remote
Power	3V DC (2x AAA battery)
Operation Frequency	2.4GHz
Dimension	53x122x17mm (WxLxH)
Weight:	60g

Receiver	
Order Code	R5C
Type	RF receiver
Operation Frequency	2.4GHz
Input Voltage	12-24VDC
Current	5x3A
Output	5X(36-72)W
Note	Constant voltage
Dimension	38x114x20mm (WxLxH)
Operating temperature	-20°C~+55°C

Product Image



Recommendation

RF technology allows for greater flexibility when it comes to controlling simple or complex lighting installations without the need of additional cabling.

There are some limitations where installations have the receivers enclosed in electrical boxes or hidden away in a ceiling, reducing the RF signal strength and therefore the communication range.

In order to overcome these RF Signal restrictions we suggest the following when synchronising our RF controllers and receivers:

- Keep the distance within 10 meters from the controller to the receiver. The remote can operate up to 30mtrs if signal is uninterrupted by obstacles.
- When expanding your lighting, always try and use a signal repeater (PR-RGB), where possible.

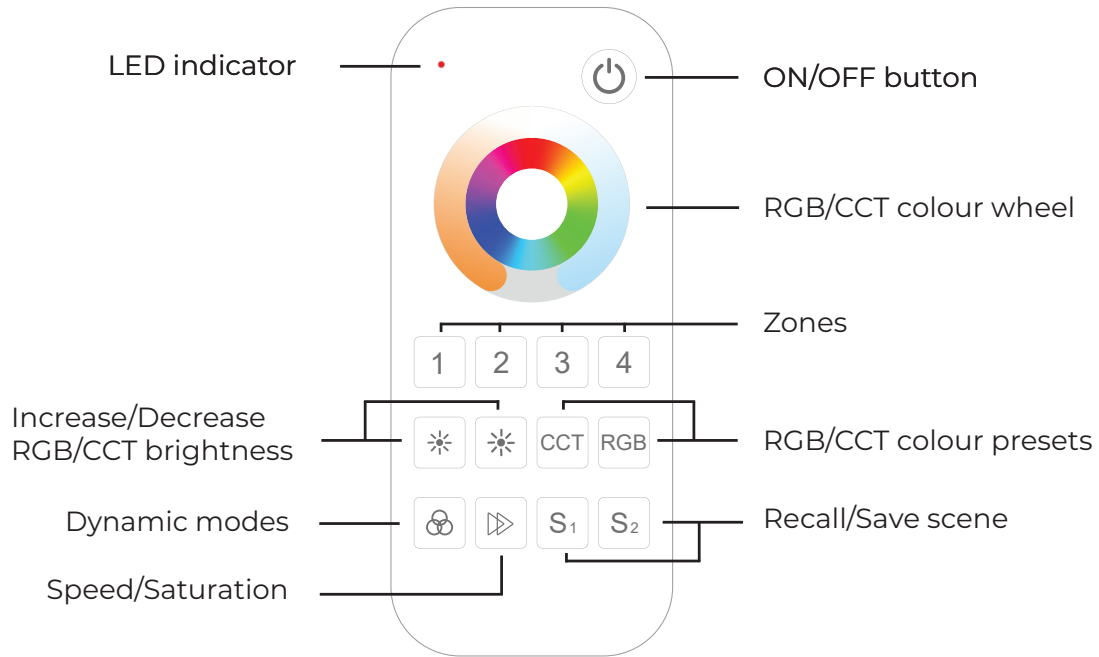
Controller and receiver

LR-4RGBCCT and R5C

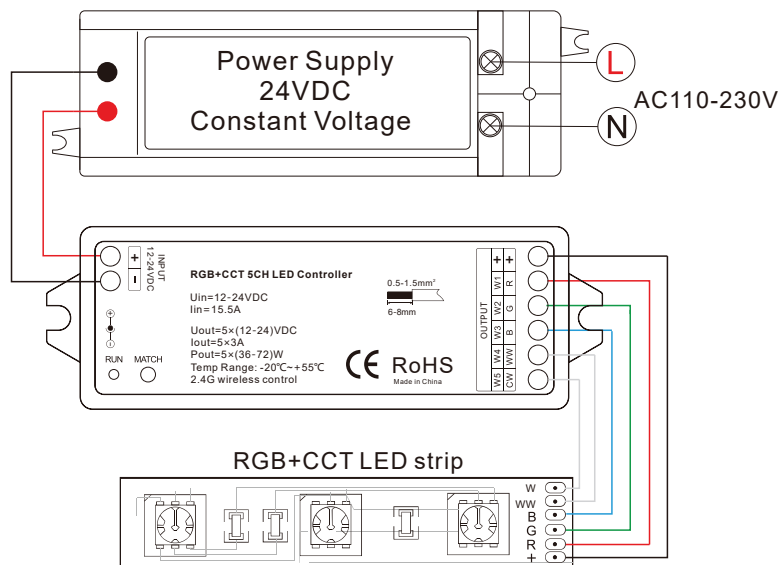


4 zones RF controller and receiver for RGBCCT LED strip

Controller layout



Receiver wiring diagram



Controller and receiver

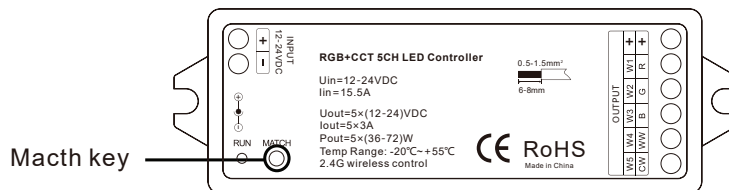
LR-4RGBCCT and R5C



4 zones RF controller and receiver for RGBCCT LED strip

Synchronising the remote to receiver

1) Ensure the receiver has power. Press the match button on the receiver. Indicator will



2) Choose the zone on the remote to allocate the receiver within 5 seconds after pressing the match button. The indicator will stop flashing, and the controller will be synchronised.



3) Repeat the process to allocate zones for all receivers.

4) To restore to factory default settings and delete the allocated controller, press and hold the match button longer than 5 seconds.

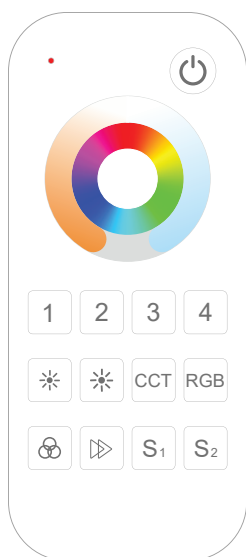
Controller and receiver

LR-4RGBCCT and R5C



4 zones RF controller and receiver for RGBCCT LED strip

Controlling your LED strip



- Press to turn ON/OFF all zones.
- Touch the colour wheel to change RGB colour or CCT (WW/CW) colour in selected zones. Press RGB or CCT button to switch between RGB and CCT wheel.
- Press to select and turn ON the desired zone. Press and hold to turn off desired zone.
- Press to Adjust RGB or CCT brightness in 10 levels steps. Long press to increase or decrease brightness smoothly.
- Press to adjust colour temperature of WW/CW channel in 10 level steps. Long press to adjust colour temperature of WW/CW channel smoothly.
- Press to change 24 presetted RGB colours
- Press to run dynamic play modes, press and hold to run automatic cycle mode. In dynamic play modes press to adjust the speed of the dynamic mode.
- For static RGB colour press to adjust 11 levels of saturation of the selected colour. Press and hold to adjust 256 levels of saturation of the selected colour.
- Press and hold to save current colour state into S1/S2 scene. Press to recall the S1/S2 scene. Scene positions are saved across all 4 zones.

Each zone can be set up to control single colour, tunable white (WW/CW), RGB, RGBW and RGBCCT (WW/CW) LED strip.

- Single colour
- Tunable white (WW/CW)
- RGB
- RGBW
- RGBCCT

Press and hold buttons for more than 2 sec to set the LED strip mode to RGB on Zone 1. Indicator on the remote will turn green to confirm LED strip mode change.

Controller and receiver

LR-4RGBCCT and R5C



4 zones RF controller and receiver for RGBCCT LED strip

Dynamic play mode presets

No.	Name	No.	Name
1.	RGB jump	6.	RGB fade in and out
2.	RGB smooth	7.	RED fade in and out
3.	6 colour jump	8.	GREEN fade in and out
4.	6 colour smooth	9.	BLUE fade in and out
5.	Yellow cyan purple smooth	10.	WHITE fade in and out

Troubleshoot

Problem	Cause	Corrective
No light	<ul style="list-style-type: none">No power.Wrong connection or unsecure connection.	<ul style="list-style-type: none">Check the power.Check the connection.
Wrong Colour	<ul style="list-style-type: none">Wrong connection of RGBW wires.	<ul style="list-style-type: none">Re trace and reconnect RGBW wires.
Uneven intensity between front and rear of the strip, with voltage drop	<ul style="list-style-type: none">Output cable is too long.Cable diameter is too small.Overload beyond driver capability.Overload beyond receiver capability.	<ul style="list-style-type: none">Reduce cable or loop supply.Change to a thicker cable.Replace with a suitable higher power driver.Add a power repeater.
No response from the remote	<ul style="list-style-type: none">The battery has no power.Beyond controllable distance.The controller isn't synchronised with the remote.	<ul style="list-style-type: none">Replace battery.Reduce remote to receiver distance.Re-sync the remote.

Safety

- Products must be installed and serviced by qualified electrician.
- Please ensure the receiver is mounted in a water proof enclosure if installed in an outdoor environment, avoiding metallic enclosures.
- Always ensure products are mounted in areas with adequate ventilation to avoid overheating.
- Please ensure outputs of any power suppliers used in conjunction with this product comply with its working voltage.
- Never install product whilst connected to power and double check connections before switching on to avoid short circuits.

Warranty

Should this product fail during the 3 year warranty period it will be replaced free of charge, subject to the correct installation of the original product in accordance with applicable and appropriate electrical codes and instructions provided by Teucer, as well as subsequent return of the faulty unit. Teucer does not accept responsibility for any installation costs associated with the replacement of this product and Teucer reserves the right to alter specifications without prior notice. Teucer can offer 5 year warranty upon request. For further information, please see our Terms and Conditions. www.teucerled.co.uk/terms-and-conditions/

Teucer (UK) Ltd
Head office

Bedford House, Fulham Green
69-79 Fulham High Street
London, SW6 3JW, UK
Tel: +44 (0)20 7350 4429
Fax: +44(0)20 7228 4647
www.teucerled.co.uk
sales@teucer.eu



V001

www.teucerled.co.uk