



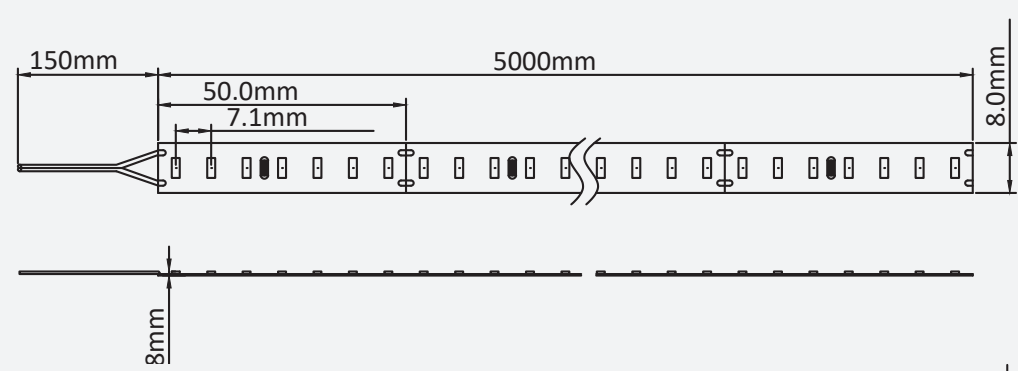
9.6 W/m

Single colour LED strip 2216 chip

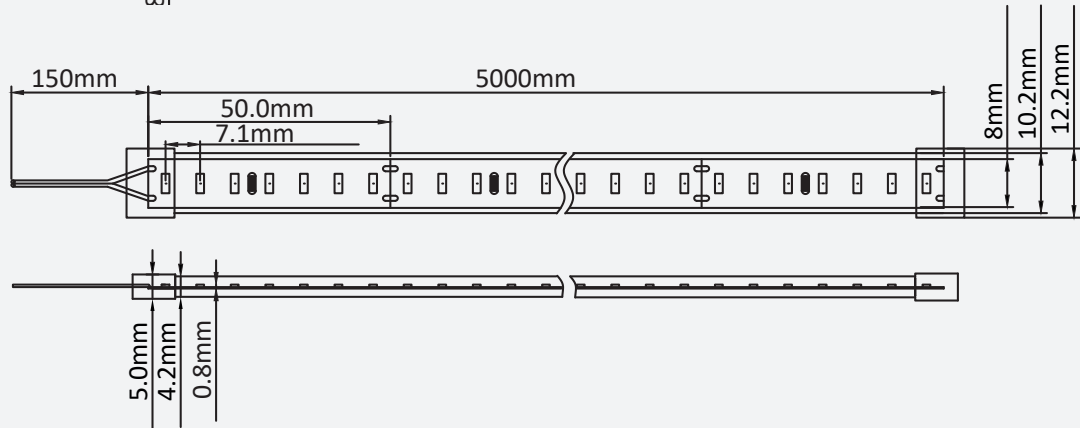


LST-3(N)

Technical drawing



IP20



IP65



V001

www.teucerled.co.uk

9.6 W/m

Single colour LED strip 2216 chip



Technical specification

| | |
|--------------------------|-----------------------|
| Max Wattage | 9.6 W/m |
| LED Chip | SMD 2216 |
| LEDs per meter | 140LEDs |
| Construction | PCB |
| IP rating | IP20 |
| Fixture | Self Adhesive (300MP) |
| Voltage | 24V |
| Dimension | 5m |
| Cut | Every 50mm |
| Colour Rendering Index | Ra > 90 |
| Beam Angle | 120° |
| Energy Efficiency Rating | A+ |
| Estimated Life | 50.000 hours |
| Operating temperature | -20~+45°C |

Polar diagram

Note

For compatibility of LED strip with aluminium profile, please refer to the compatibility chart in our catalogue or on our website:
www.teucerled.co.uk/compatibilitychart

For power consumption of LED strip and choosing appropriate driver, please refer to power consumption chart in our catalogue or on our website:
www.teucerled.co.uk/powerconsumptionchart

Product codes

| Product Code | IP Rating | CCT | Lumens/m | Lumens/W |
|-----------------|-----------|-------|----------|----------|
| LST-3WW27K(N) | IP20 | 2700K | 873 lm | 91 lm/W |
| LST-3WW30K(N) | IP20 | 3000K | 912 lm | 95 lm/W |
| LST-3CW(N) | IP20 | 4000K | 960 lm | 100 lm/W |
| LST-IP3WW27K(N) | IP65 | 2700K | 820 lm | 85 lm/W |
| LST-IP3WW30K(N) | IP65 | 3000K | 860 lm | 89 lm/W |
| LST-IP3CW(N) | IP65 | 4000K | 910 lm | 94 lm/W |

Warranty

Should this product fail during the 5 year warranty period it will be replaced free of charge, subject to the correct installation of the original product in accordance with applicable and appropriate electrical codes and instructions provided by Teucer, as well as subsequent return of the faulty unit. LED strips of 9.6W/m and above MUST be mounted on an appropriate aluminium profile to guarantee product performance and Teucer warranty. Teucer does not accept responsibility for any installation costs associated with the replacement of this product and Teucer reserves the right to alter specifications without prior notice. For further information, please see our Terms and Conditions. www.teucerled.co.uk/terms-and-conditions/.

* The Blue lumens value has been calculated using a mcd (millicandela) to lumens converter.

Note: The lumen data shown are typical lumen values tested and verified by a European independently accredited test house.

Teucer (UK) Ltd
[Head office](http://www.teucerled.co.uk)

Bedford House, Fulham Green
69-79 Fulham High Street
London, SW6 3JW, UK
Tel: +44 (0)20 7350 4429
Fax: +44(0)20 7228 4647
www.teucerled.co.uk
sales@teucer.eu

