



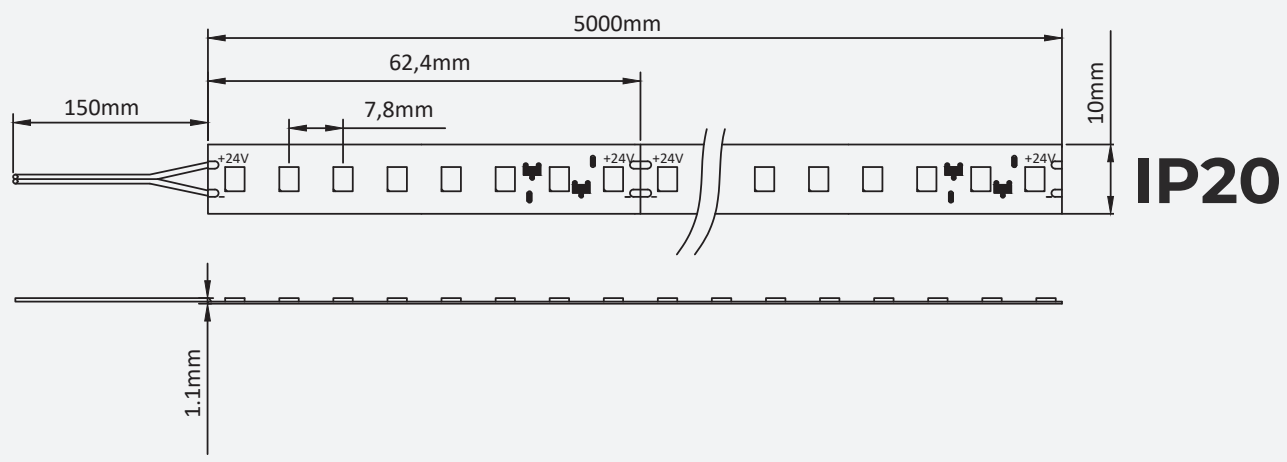
# 26 W/m

## Single colour LED strip 2835 chip



### LST-6HL

Technical drawing



V001

[www.teucerled.co.uk](http://www.teucerled.co.uk)

# 26 W/m

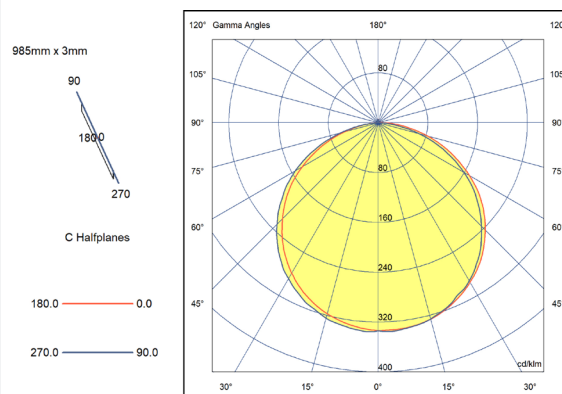
## Single colour LED strip 2835 chip



### Technical specification

Max Wattage	26 W/m
LED Chip	SMD 2835
LEDs per meter	128 LEDs
Construction	PCB
IP rating	IP20
Fixture	Self Adhesive (300MP)
Voltage	24V
Dimension	5m
Cut	Every 62.4mm
Colour Rendering Index	Ra > 80
Beam Angle	120°
Energy Efficiency Rating	A+
Estimated Life	50.000 hours
Operating temperature	-20~+45°C

### Polar diagram



### Note

For compatibility of LED strip with aluminium profile, please refer to the compatibility chart in our catalogue or on our website:  
[www.teucerled.co.uk/compatibilitychart](http://www.teucerled.co.uk/compatibilitychart)

For power consumption of LED strip and choosing appropriate driver, please refer to power consumption chart in our catalogue or on our website:  
[www.teucerled.co.uk/powerconsumptionchart](http://www.teucerled.co.uk/powerconsumptionchart)

### Warranty

Should this product fail during the 5 year warranty period it will be replaced free of charge, subject to the correct installation of the original product in accordance with applicable and appropriate electrical codes and instructions provided by Teucer, as well as subsequent return of the faulty unit. LED strips of 9.6W/m and above MUST be mounted on an appropriate aluminium profile to guarantee product performance and Teucer warranty. Teucer does not accept responsibility for any installation costs associated with the replacement of this product and Teucer reserves the right to alter specifications without prior notice. For further information, please see our Terms and Conditions. [www.teucerled.co.uk/terms-and-conditions/](http://www.teucerled.co.uk/terms-and-conditions/).

Teucer (UK) Ltd  
Head office

Bedford House, Fulham Green  
69-79 Fulham High Street  
London, SW6 3JW, UK  
Tel: +44 (0)20 7350 4429  
Fax: +44(0)20 7228 4647  
[www.teucerled.co.uk](http://www.teucerled.co.uk)  
[sales@teucer.eu](mailto:sales@teucer.eu)

### Product codes

Product Code	IP Rating	CCT	Lumens/m	Lumens/W
LST-6HLWW27K	IP20	2700K	3000 lm	115 lm/W
LST-6HLWW30K	IP20	3000K	3100 lm	120 lm/W
LST-6HLCW	IP20	4000K	3380 lm	130 lm/W

