

200W DALI Dimmable LED Driver

Constant Voltage IP66 24VDC



LDDA-IP200/24



Technical Specification

Order Code		LDDA-IP200/24
Output	Rated Power	200W
	Rated Current	8.33A
	Output Voltage	24V DC
	Voltage Tolerance	±0.5V
	Voltage Regulation	±0.5%
	Load Regulation	±2%
	Input	Voltage Range
Frequency Range		47~63Hz
Efficiency (Typ)		88.4% at 230V AC (Full loading)
Power Factor (Typ)		0.97 at 230V AC (Full loading)
THD (Typ)		<20% at 230 V AC (Full loading)
AC Current (Max)		2.3A
Inrush Current (Typ)		56A at 230V AC
Leakage current		<0.5mA
Protection	Overload	≤ 120%
	Short circuit	Recovers automatically after condition is removed
	Over temperature	100°C ±10°C Recovers automatically after cooling
	Protection Class	I
Environment	Working Temp	-40~+60°C (refer to the derating curve)
	Working Humidity	20~95%RH, non-condensing
	Ingress Protection	IP66 waterproof
	Storage Temp / Humidity	-40~+80°C, 10~95%RH
	TEMP. coefficient	±0.03%/°C(0-50°C)
	Vibration	10~500Hz, 5G 10 min./1 cycle, period for 60min. each along X, Y, Z axes

200W DALI Dimmable LED Driver

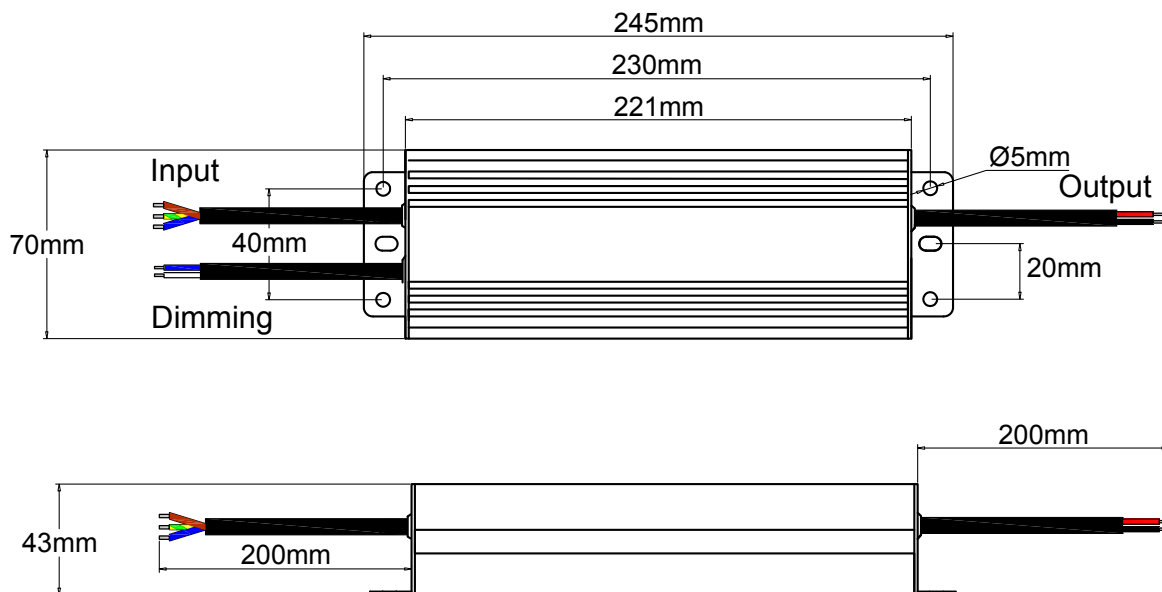
Constant Voltage IP66 24VDC



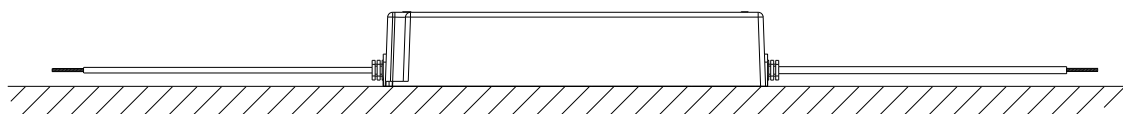
Safety & EMC	Safety Standards (LVD)	EN61347-2-13:2014/A1:2017, EN61347-1:2015, EN 62493:2015
	Withstand Voltage	I/P-O/P:3.75KVAC
	Isolation Resistance	I/P-O/ P:100MΩ / 500VDC / 25°C / 70%RH
	EMC Emission and Immunity	EN 55015:2013/A1:2015, EN 61547:2009, EN 61000-3-2:2014, EN 61000-3-3:2013
DALI	Dimming Type	PWM dimming, PWM frequency ~ 240Hz
	DALI consumption	~0.2mA
Mechanical	Size	245x70x43mm (L×W×H)
	Weight	1.2Kg

To calculate the maximum number of drivers per mcb the following calculation can be applied:
 Number for drivers= I_{peak} (breaker)/ I_{surge} (driver).
 Consult breaker manufacturer for guidance on circuit breakers for direct current applications.

Dimensions



Recommended Mounting Position

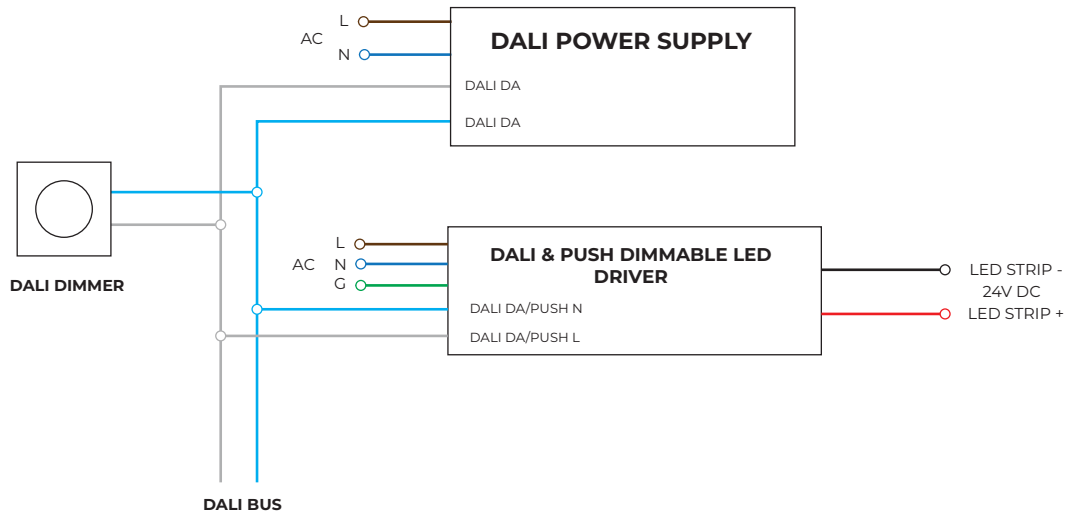


200W DALI Dimmable LED Driver

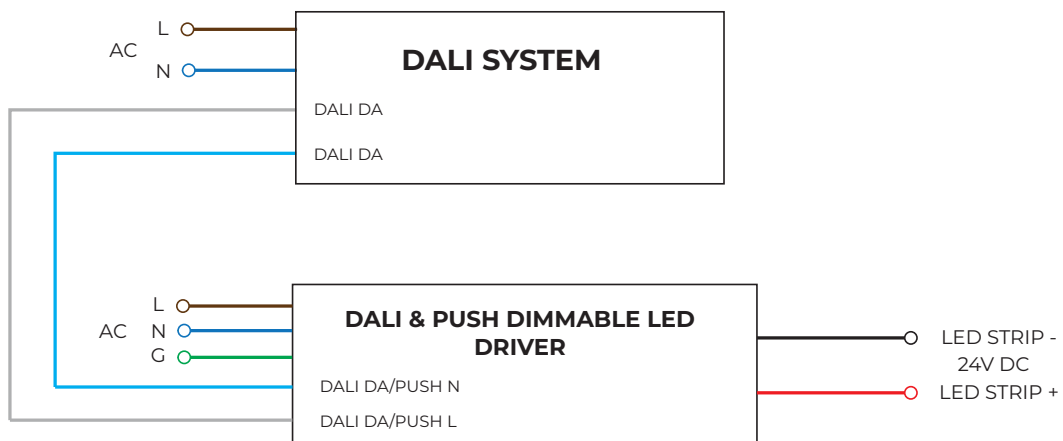
Constant Voltage IP66 24VDC



DALI dimmer wiring diagram



DALI system wiring diagram

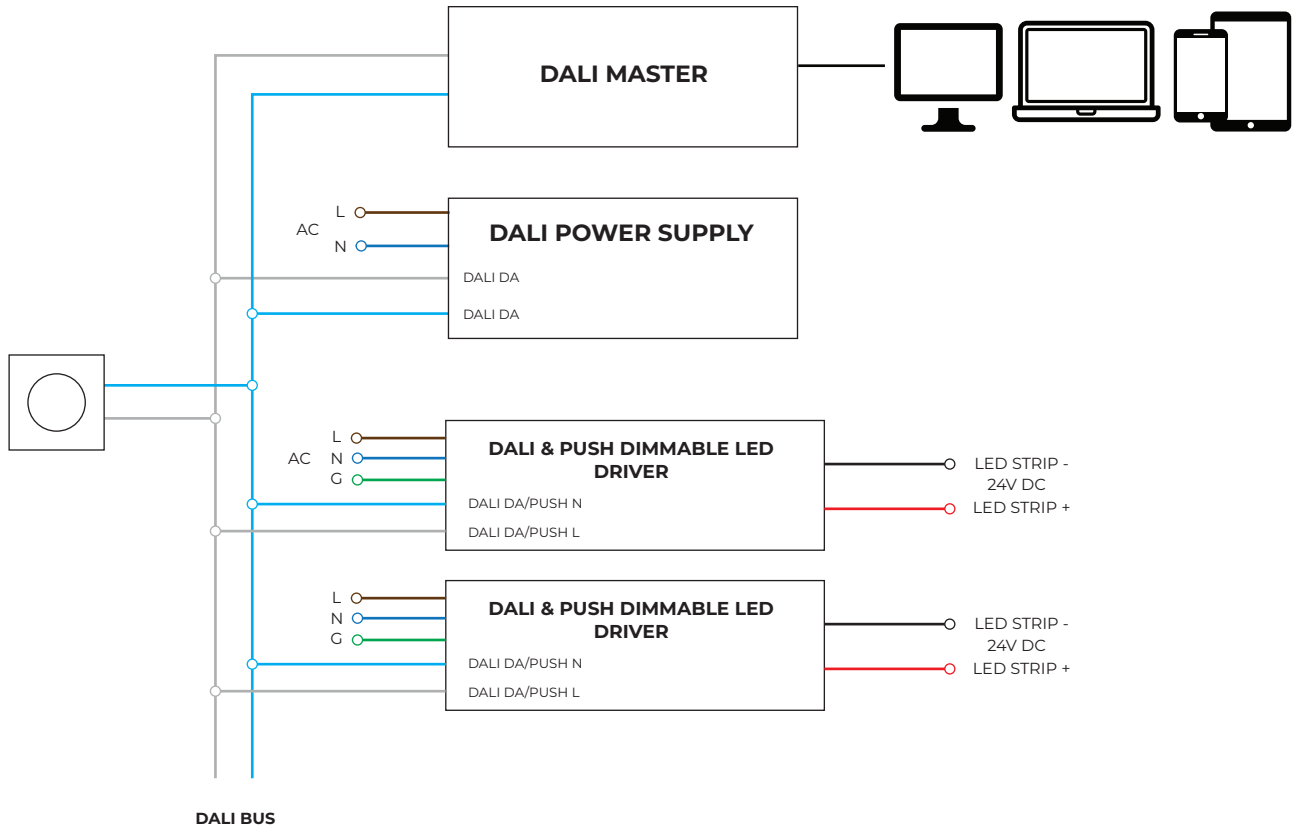


200W DALI Dimmable LED Driver

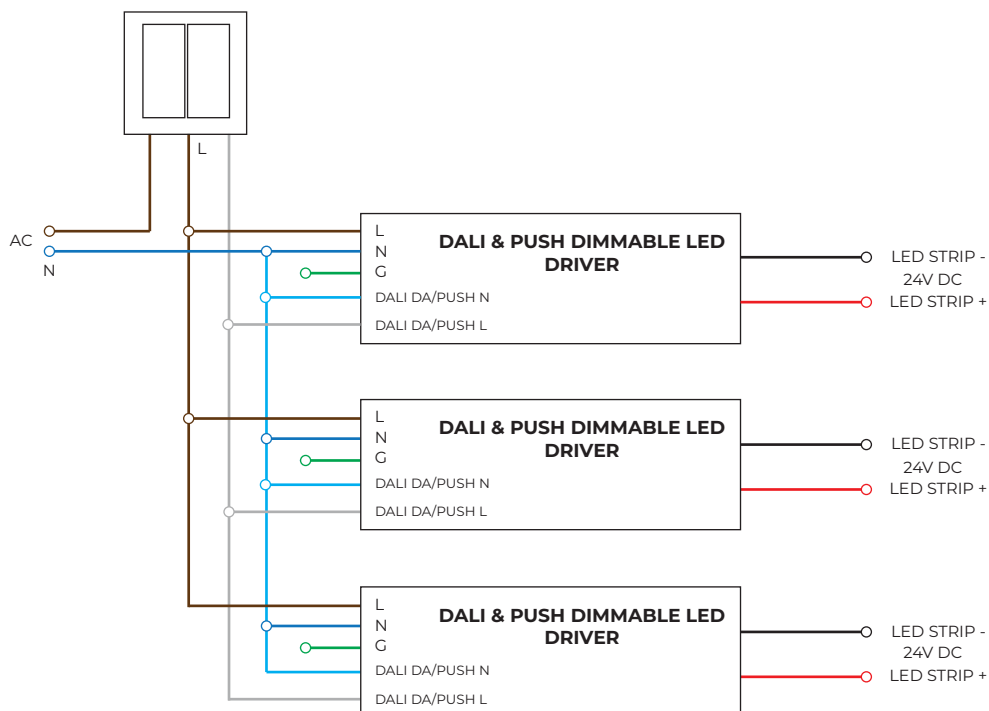
Constant Voltage IP66 24VDC



PC + DALI MASTER + DIMMER wiring diagram



PUSH dimming wiring diagram with ON/OFF function

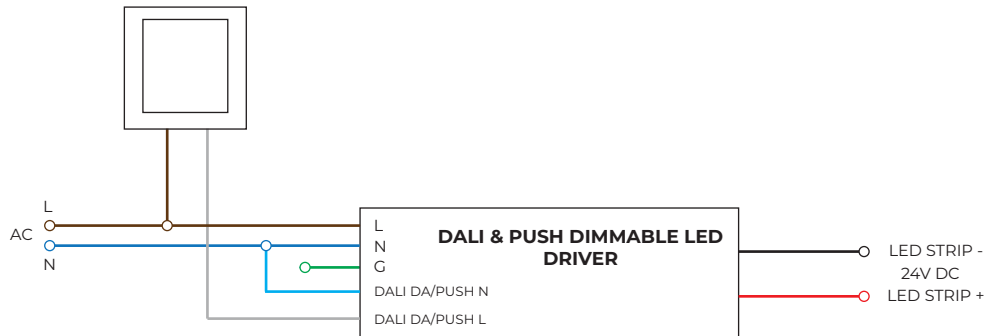


200W DALI Dimmable LED Driver

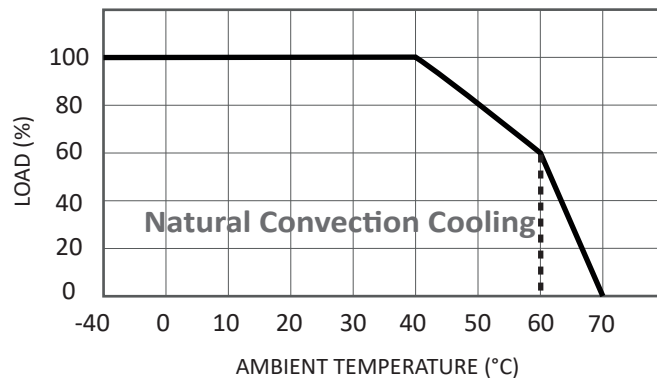
Constant Voltage IP66 24VDC



PUSH dimming wiring diagram



Derating Curve



Warranty

Should this product fail during the 5 year warranty period it will be replaced free of charge, subject to the correct installation of the original product in accordance with applicable and appropriate electrical codes and instructions provided by Teucer, as well as subsequent return of the faulty unit. LED strips of 9.6W/m and above MUST be mounted on an appropriate aluminium profile to guarantee product performance and Teucer warranty. Teucer does not accept responsibility for any installation costs associated with the replacement of this product and Teucer reserves the right to alter specifications without prior notice. For further information, please see our Terms and Conditions. www.teucerled.co.uk/terms-and-conditions/.

Teucer (UK) Ltd
Head office

Bedford House, Fulham Green
69-79 Fulham High Street
London, SW6 3JW, UK
Tel: +44 (0)20 7350 4429
Fax: +44(0)20 7228 4647
www.teucerled.co.uk
sales@teucer.eu

