

60W DALI Dimmable LED Driver

Constant Voltage IP66 24VDC



LDDA-IP60/24



Technical Specification

Order Code		LDDA-IP60/24
Output	Rated Power	60W
	Rated Current	2.5A
	Output Voltage	24V DC
	Voltage Tolerance	±0.5V
	Voltage Regulation	±0.5%
	Load Regulation	±2%
Input	Voltage Range	100~265VAC
	Frequency Range	47~63Hz
	Efficiency (Typ)	88% at 230V AC (Full loading)
	Power Factor (Typ)	0.95 at 230V AC (Full loading)
	THD (Typ)	15% at 230 V AC (Full loading)
	AC Current (Max)	0.9A
	Inrush Current (Typ)	34A (50% I _{peak} Twidth=121μs) at 230V AC
	Leakage current	<0.5mA
	Protection	Overload
Short circuit		Recovers automatically after condition is removed
Over temperature		100°C ±10°C Recovers automatically after cooling
Protection Class		I
Environment	Working Temp	-40~+60°C (refer to the derating curve)
	Working Humidity	20~95%RH, non-condensing
	Ingress Protection	IP66 waterproof
	Storage Temp / Humidity	-40~+80°C, 10~95%RH
	TEMP. coefficient	±0.03%/°C(0-50°C)
	Vibration	10~500Hz, 5G 10 min./1 cycle, period for 60min. each along X, Y, Z axes

60W DALI Dimmable LED Driver

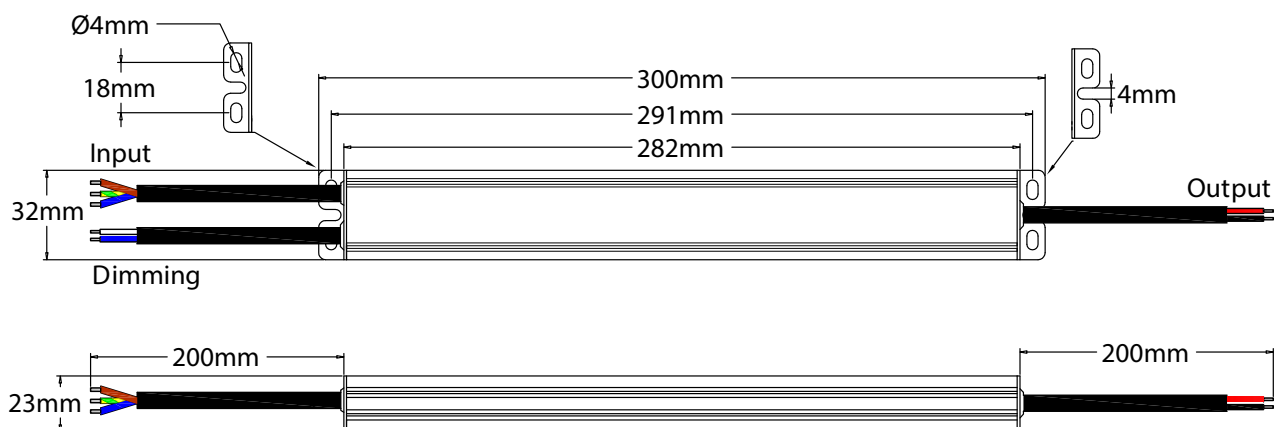
Constant Voltage IP66 24VDC



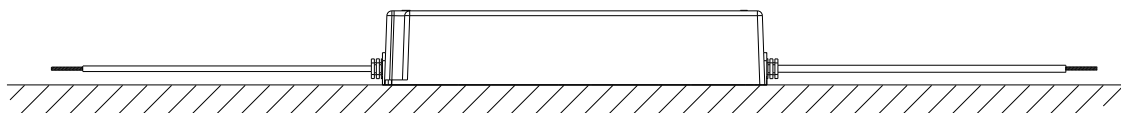
Safety & EMC	Safety Standards (LVD)	EN61347-2-13:2014, EN61347-1:2015,
	Withstand Voltage	I/P-O/P:3.75KVAC
	Isolation Resistance	I/P-O/ P:100MΩ / 500VDC / 25°C / 70%RH
	EMC Emission and Immunity	EN 55015:2013/A1:2015, EN 61547:2009, EN 61000-3-2:2014, EN 61000-3-3:2013
DALI	Dimming Type	PWM dimming, PWM frequency ~ 240Hz
	DALI consumption	~0.2mA
Mechanical	Size	300x32x23mm (L×W×H)
	Weight	0.43Kg

To calculate the maximum number of drivers per mcb the following calculation can be applied:
 Number for drivers= I_{peak} (breaker)/ I_{surge} (driver).
 Consult breaker manufacturer for guidance on circuit breakers for direct current applications.

Dimensions



Recommended Mounting Position

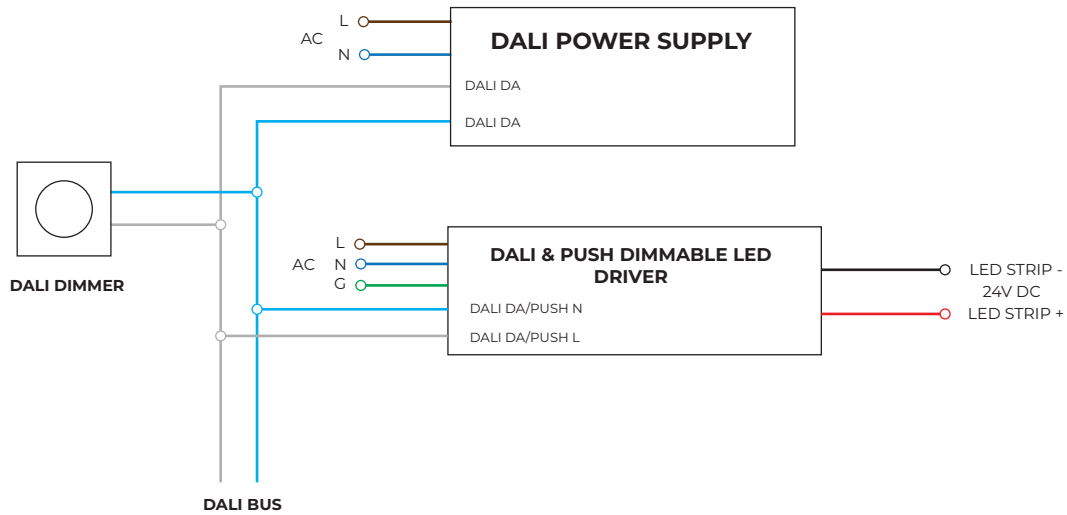


60W DALI Dimmable LED Driver

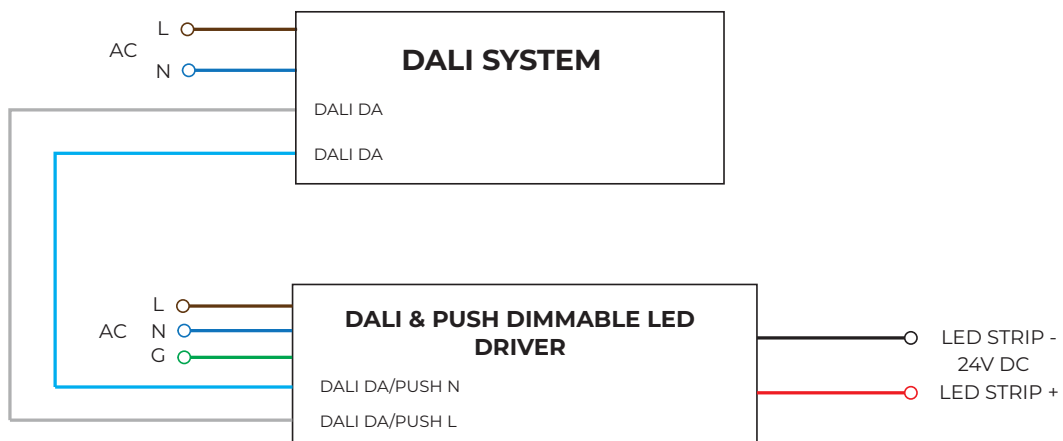
Constant Voltage IP66 24VDC



DALI dimmer wiring diagram



DALI system wiring diagram

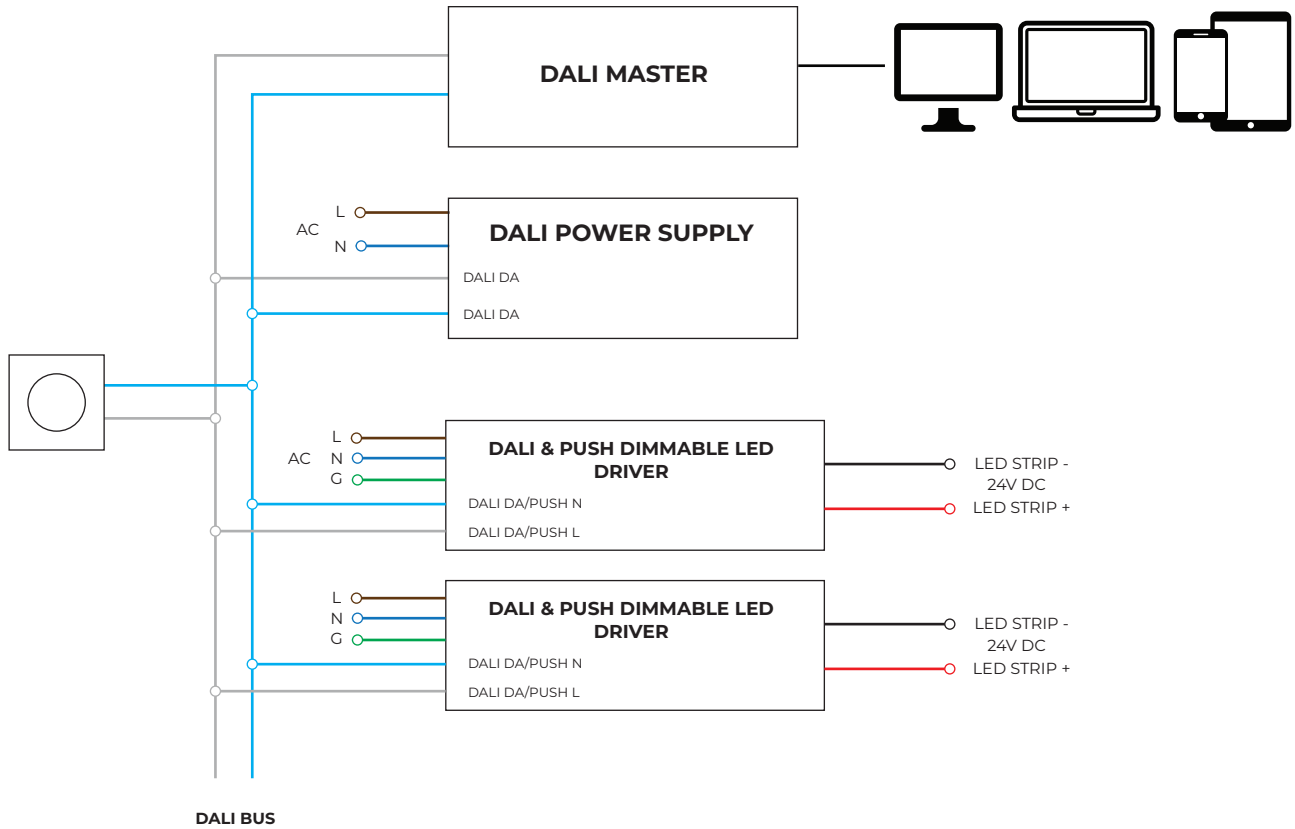


60W DALI Dimmable LED Driver

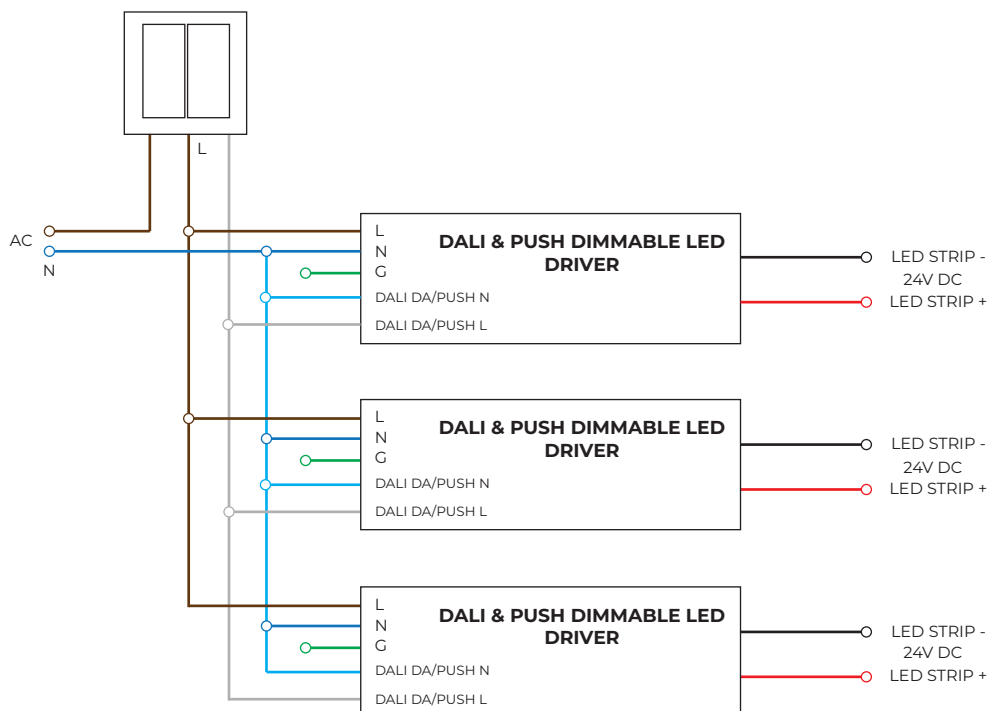
Constant Voltage IP66 24VDC



PC + DALI MASTER +DIMMER wiring diagram



PUSH dimming wiring diagram with ON/OFF function

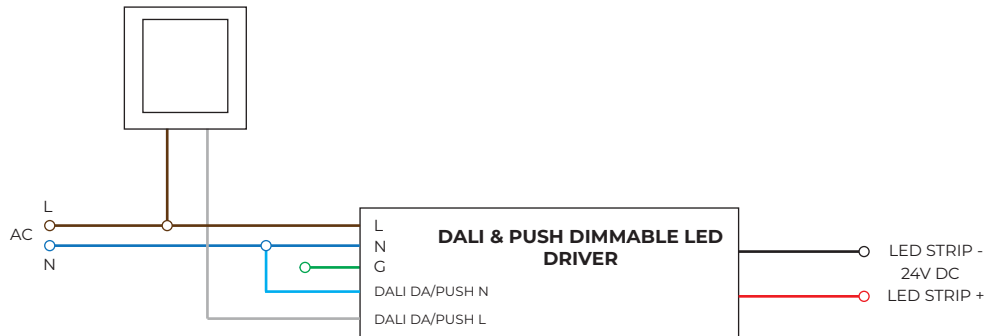


60W DALI Dimmable LED Driver

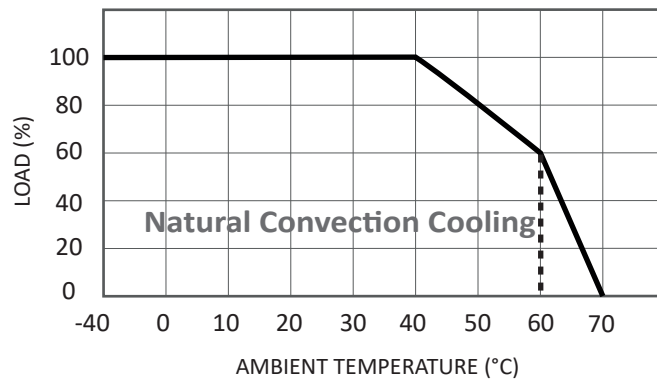
Constant Voltage IP66 24VDC



PUSH dimming wiring diagram



Derating Curve



Teucer (UK) Ltd
Head office

Bedford House, Fulham Green
69-79 Fulham High Street
London, SW6 3JW, UK
Tel: +44 (0)20 7350 4429
Fax: +44(0)20 7228 4647
www.teucerled.co.uk
sales@teucer.eu

Warranty

Should this product fail during the 5 year warranty period it will be replaced free of charge, subject to the correct installation of the original product in accordance with applicable and appropriate electrical codes and instructions provided by Teucer, as well as subsequent return of the faulty unit. LED strips of 9.6W/m and above MUST be mounted on an appropriate aluminium profile to guarantee product performance and Teucer warranty. Teucer does not accept responsibility for any installation costs associated with the replacement of this product and Teucer reserves the right to alter specifications without prior notice. For further information, please see our Terms and Conditions. www.teucerled.co.uk/terms-and-conditions/.

